

**CAD LIBRARY**



# FUSION P2P<sup>®</sup>

FENCE-MOUNTED DUAL-TECH INTRUSION DETECTION SYSTEM

CONTENTS



© 2025 DEA Security S.r.l.  
 edition September 2025 - v. 1.1.1.

DEA Security srl reserve the right to change at any time and without notice the features of its products.

All trademarks shown belong to their legitimate owners. Third party brands, product names, trade names, corporate names and companies mentioned may be trademarks of their respective owners or registered trademarks of other companies and have been used for the purpose of explanation and / or for the benefit of the owner, without any intention to violate their respective intellectual properties.

DEA Security S.r.l. reserves the right to provide this document in editable formats (dwg, dxf, etc.).

**SYSTEM COMPONENTS.....5**

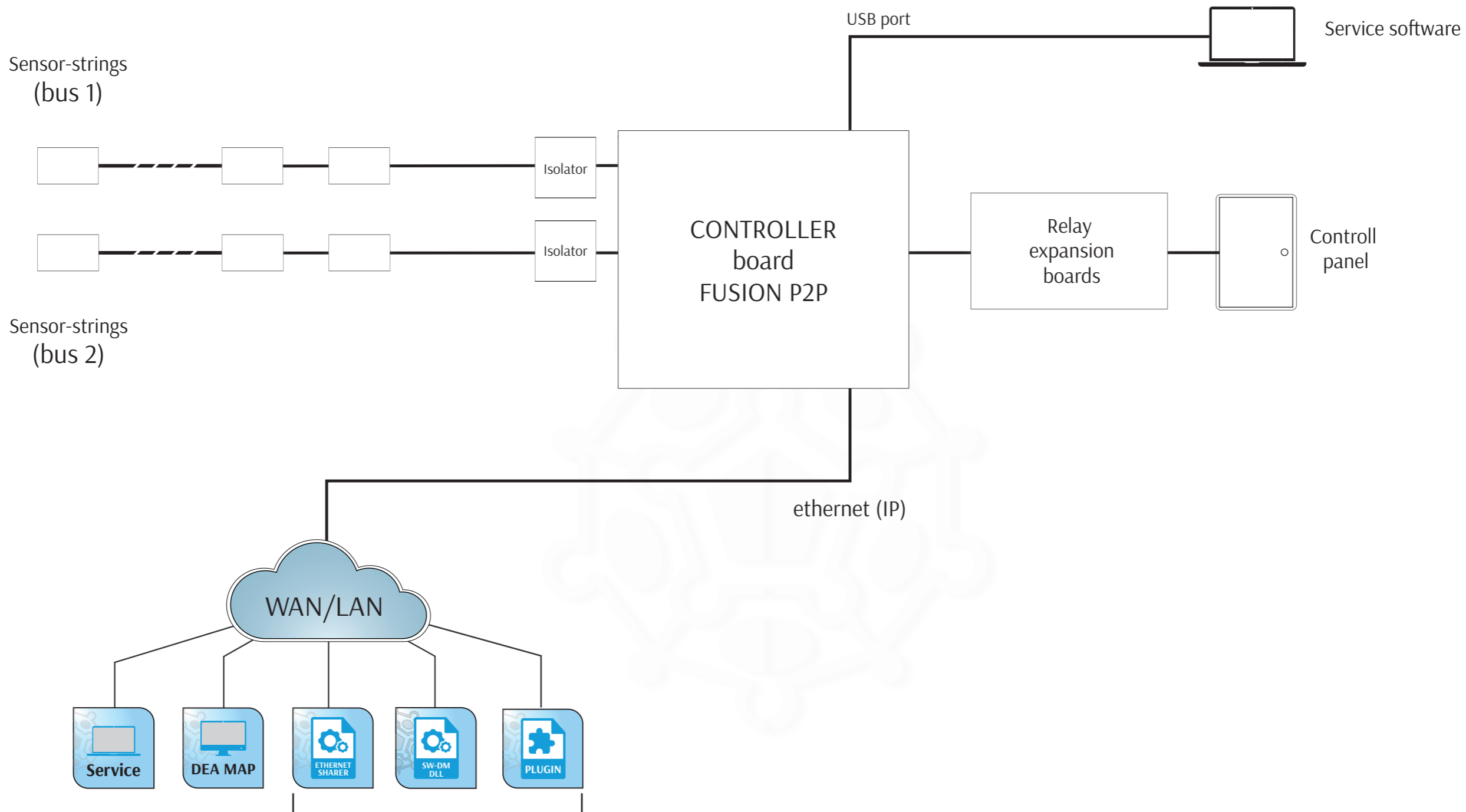
LN-FSP2P – sensor-strings .....7  
 JDVP/TDVP-P2P – connectorized junction and termination .....9  
 SC-P2P-IN1 – input module .....11  
 JBX-P2P – unconnectorized junction .....13  
 TBX-P2P – unconnectorized termination .....15  
 BR-P2P-ISB - bus isolator .....17  
 BR-FSP2P-CTRL – controller board .....19  
 CU-FSP2P controll unit .....21  
 CU-FSP2P-ISB – controll unit with isolator .....23

**APPLICATIONS**

Sensor-strings with CU (< 5 meters) .....25  
 Sensor-strings with CU (> 5 meters) .....27  
 Loop.....29  
 Bypass .....31

Swing gate .....33  
 Sliding gate .....35

Mesh net .....37  
 Electrowelded mesh .....39  
 Rigid panel.....41  
 Grating.....43  
 Keller with concertina .....45  
 Wall with concertina .....47  
 Mesh with concertina.....49



INTEGRATIONS

A collection of logos for various integration partners, including Milestone, Genetec, PS, AVIGILON, Pelco, Siemens, Leonardo, Bettini, IndigoVision, Eureka, Hs, Citel, Alesys, and Arteco.

# FUSION P2P

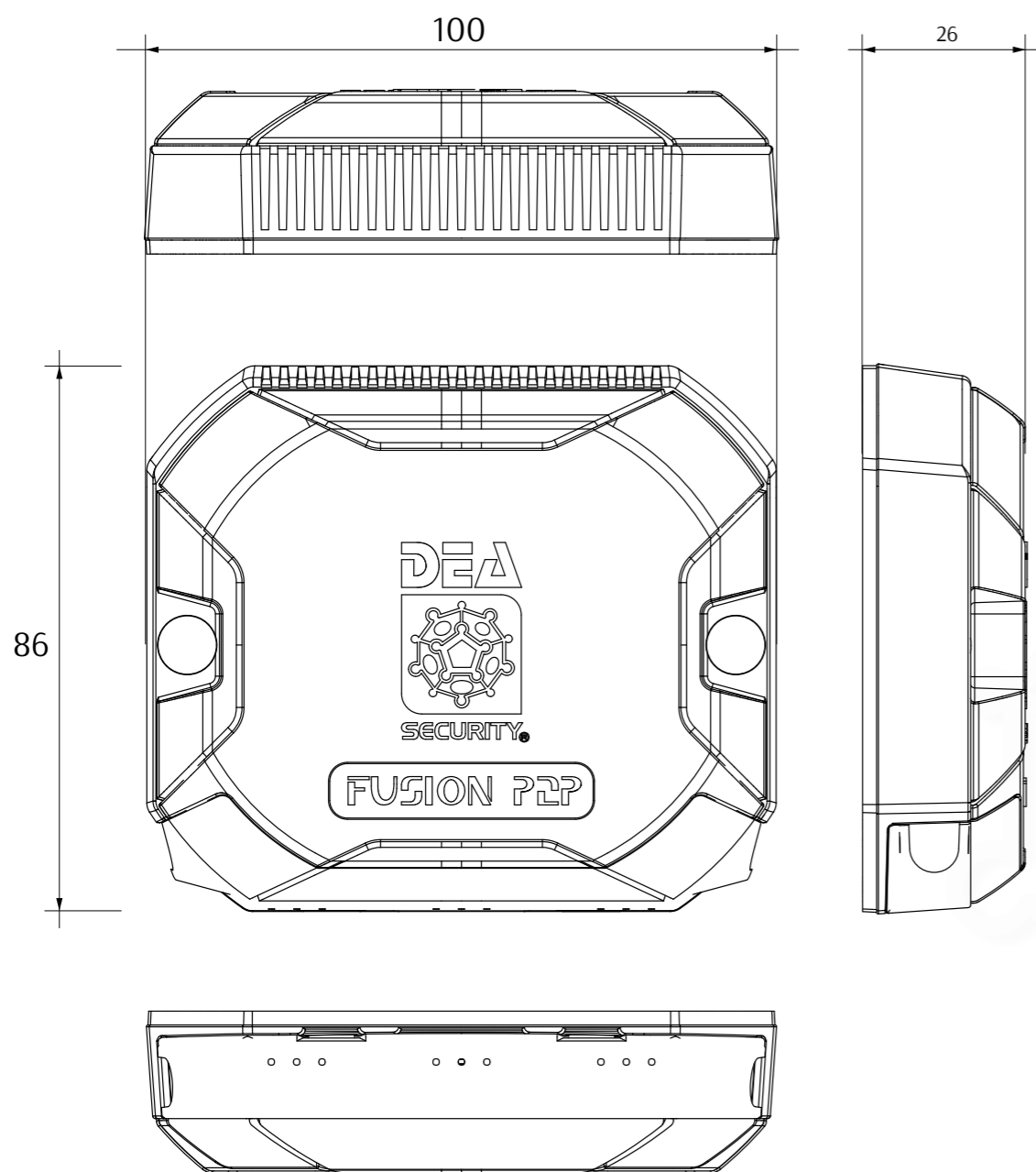
## GENERAL SCHEME



Fence-mounted dual-tech intrusion detection system

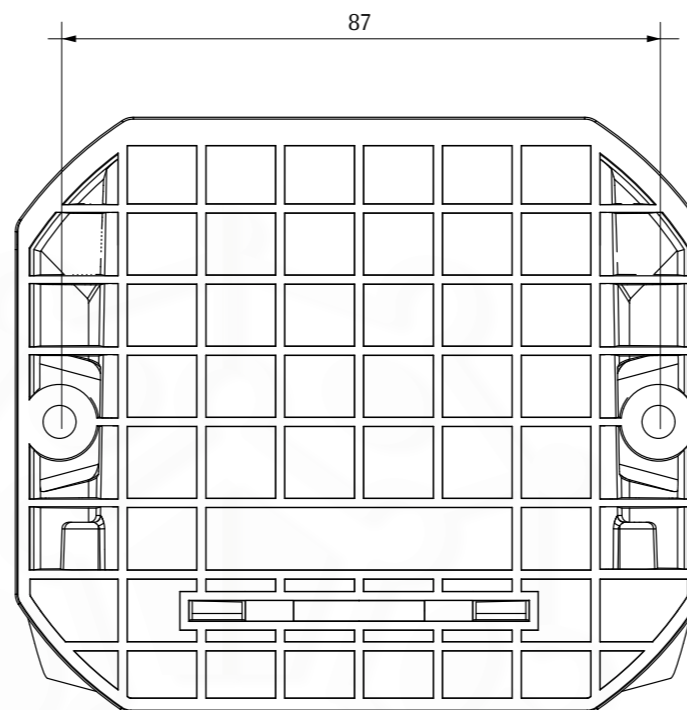
© 2020 DEA Security S.r.l. v. 1.0.1  
 DEA Security srl reserve the right to change at any time and without notice the features of its products.

# FUSION P2P sensors-string



## TUTORIAL VIDEO

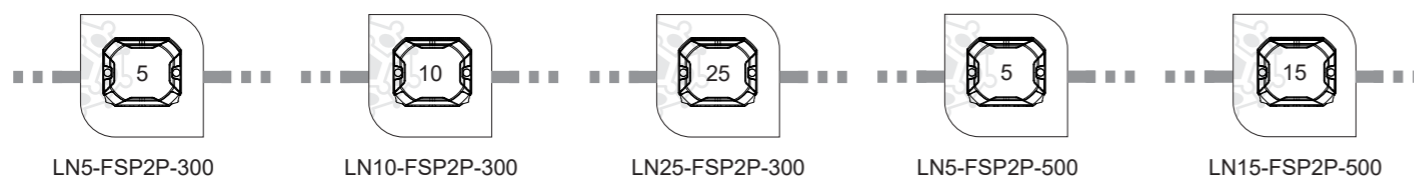
SCAN QR CODE to view the installation tutorial video.



## DATI TECNICI

- SENSOR:**
- **Compliance:** Directive 2014/30/EU, EN 50130-4/A1, EN 61000-6-3/A1
  - **Environmental class:** IV (in accordance with EN-50130-5)
  - **Dimensions:** 98 x 85 x 26 mm (L x H x W)
  - **Material:** glass fiber reinforced polyamide, sealed with polyurethane resin, U.V., oil and scratch resistant
  - **Fixing system:** No 1 stainless steel plate (AISI 316)  
No 2 pan head screws M4 x 25 mm
  - **Protection rating:** IP66 (vertical position as installation specifications)
  - **Colour:** black
  - **Power supply:** by BUS FSP2P (24 Vcc)
  - **Current:** 0,8 mA (stand by) / 1 mA (max)
  - **Operating temperature:** -40 ÷ +80 °C
  - **Relative humidity:** 0 – 100%
  - **Coverage area:** up to 5 x 5 m each sensor cable
- CABLE:**
- **Outer diameter:** 7 mm (±0,15)
  - **Conductors:** 4, 2 twisted pairs in tinned copper
  - **Section conductors:** 0,75 mm<sup>2</sup> (power supply - red/black)  
0,22 mm<sup>2</sup> (communication, couple RS-485 - white/blue)
  - **Insulation:** halogen-free polyolefin
  - **Shield:** Aluminium-Polyester foil tape with tinned copper drain wire cross sectional area
  - **Total lay up:** Total laying up of the elements in round shape with optional filler and polyester protective tape
  - **Jacket:** Special flame retardant and oil resistant PVC black
  - **Colour:** black
  - **Max DC conductor resistance (Ohm/Km °C) (at 20°C):** 26,7 Ω/Km (0,75 mm)  
93,25 Ω/Km (0,22 mm<sup>2</sup>)
  - **Insulation resistance:** >600 MΩxKm (at 20°C @ 500V DC)
  - **Nominal impedance (pair RS-485):** 100 Ω (0,75 mm<sup>2</sup>)
  - **Nominal capacity (pair RS-485):** 55 pF/m (0,75 mm<sup>2</sup>)
  - **Working voltage:** 300 V  
TEST (cond./cond.; cond/shield):1500V  
INSULATION (to outdoor): 4000 V  
INSULATION: 0,6/1 kV
  - **Bending radius:** 15 times outer diameters
  - **Operating temperature:** -40 ÷ +80 °C (fixed installation)  
-15 ÷ +80 °C (flexing handling movement)
  - **Nominal weight:** 66,69 Kg/km

## PROJECT ICONS



# FUSIONP2P

## Sensors-string

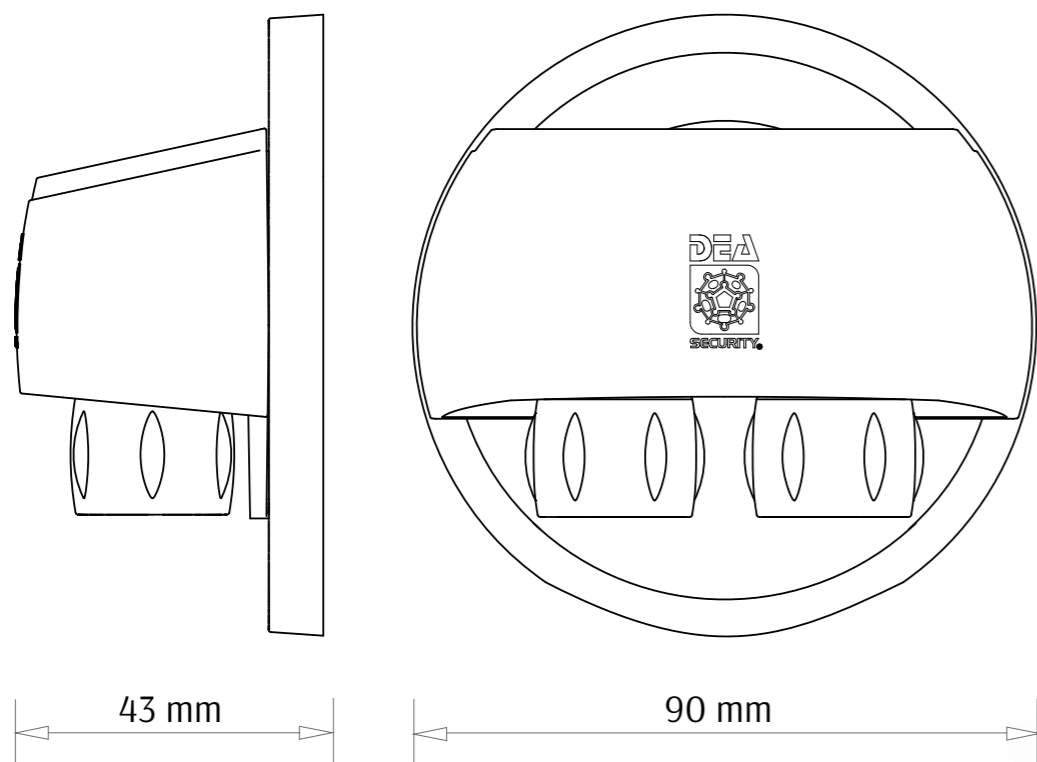
P/N LN-FSP2P

Scale 1:10

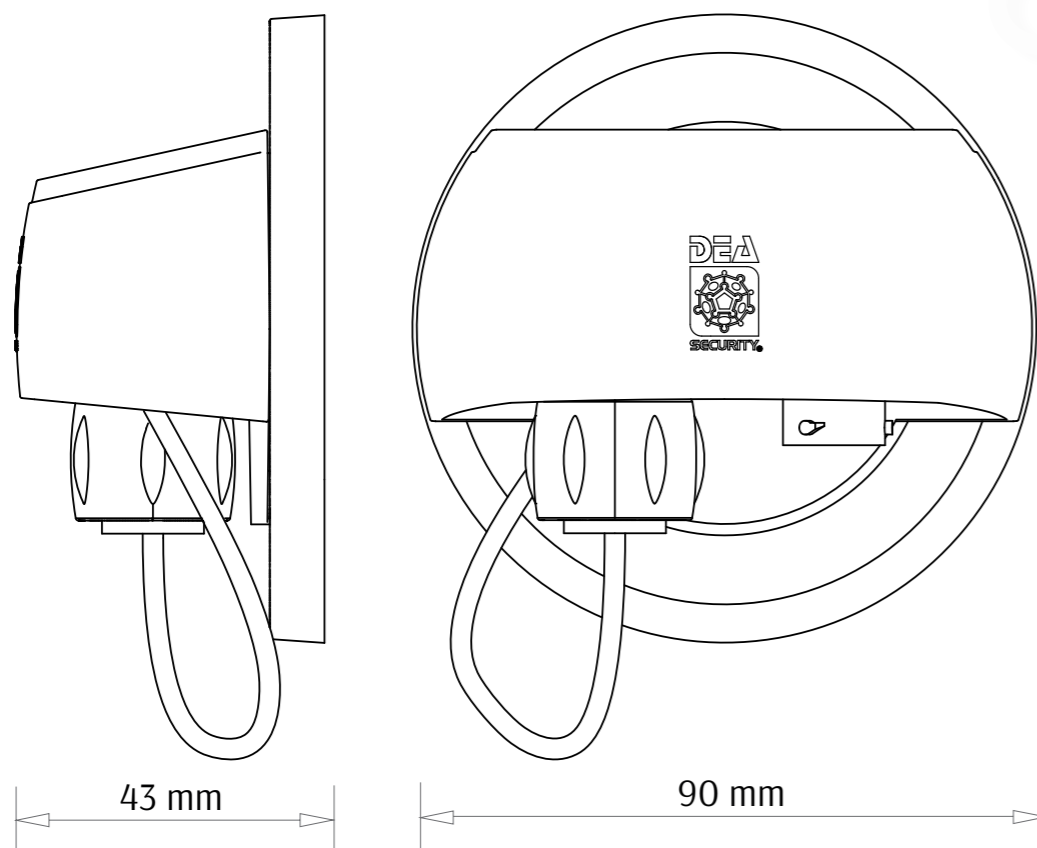


© 2024 DEA Security S.r.l. v. 1.0.1  
DEA Security srl reserve the right to change at any time and without notice the features of its products.

## Connectorized Junction FUSION P2P



## Connectorized termination FUSION P2P



### TECHNICAL FEATURES

• **Compliance:** Junction/termination - Directive 2014/30/EU, socket - CEI 60512-4, UL94-V0, UL 1977, MIL-C-26482, MIL-STD1344, RoHS



• **Environmental class:** IV (in accordance with CEI EN-50130-5)  
 • **Gross weight:** 123 g  
 • **Net weight:** n.d.

**Case**  
 • **Housing Dimension:** 90 x 56 x 43 mm (L x L x H)  
 • **Fixing plate:** 90 x 8 mm (Ø x L)  
 • **Operating temperature:** -40 ÷ +80 °C  
 • **Relative humidity:** <95% non-condensing  
 • **Material:** glass fiber reinforced polyamide  
 • **IP rating:** IP54  
 • **Colour:** black

**Connector (socket)**  
 • **Connector type:** 6-pole male circular socket  
 • **Dimensions:** 27 x 33,9 mm (Ømax x L)  
 • **Operating temperature:** -40 ÷ +80 °C  
 • **Relative humidity:** <95% non-condensing  
 • **Material:** thermoplastic resistant to UV rays, mineral oils, hydrocarbons and acids  
 • **IP rating:** IP68 (if correctly fastened with the relevant plug)  
 • **Colour:** black

### ICONS



### TUTORIAL VIDEO

SCAN QR CODE to view the installation tutorial video.



## FUSION P2P

Connectorized Junction and termination

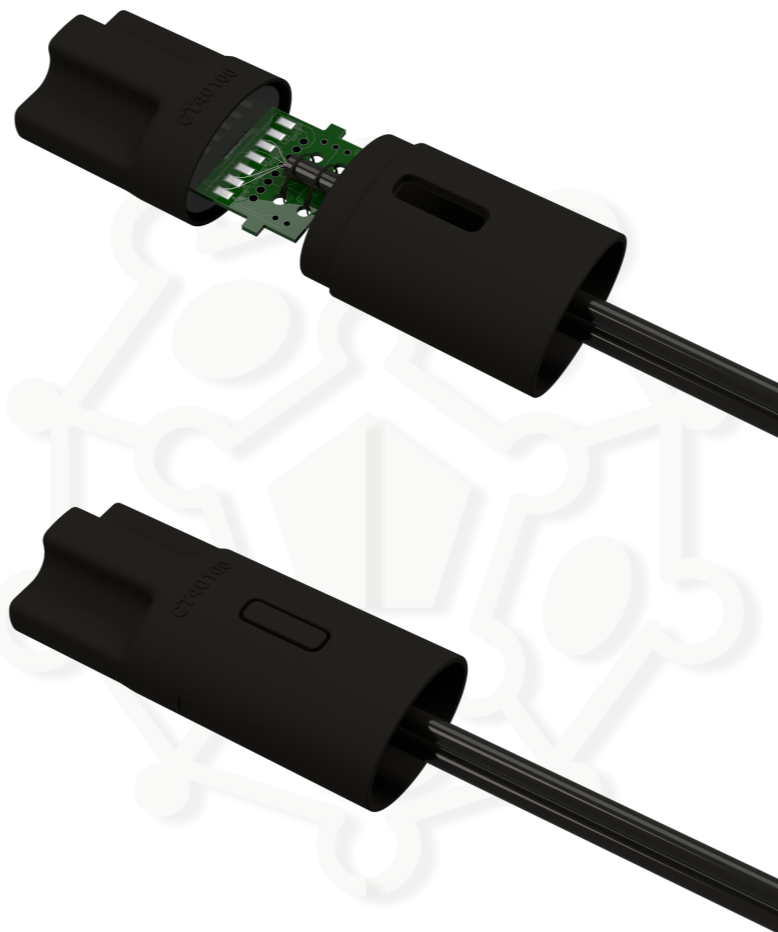
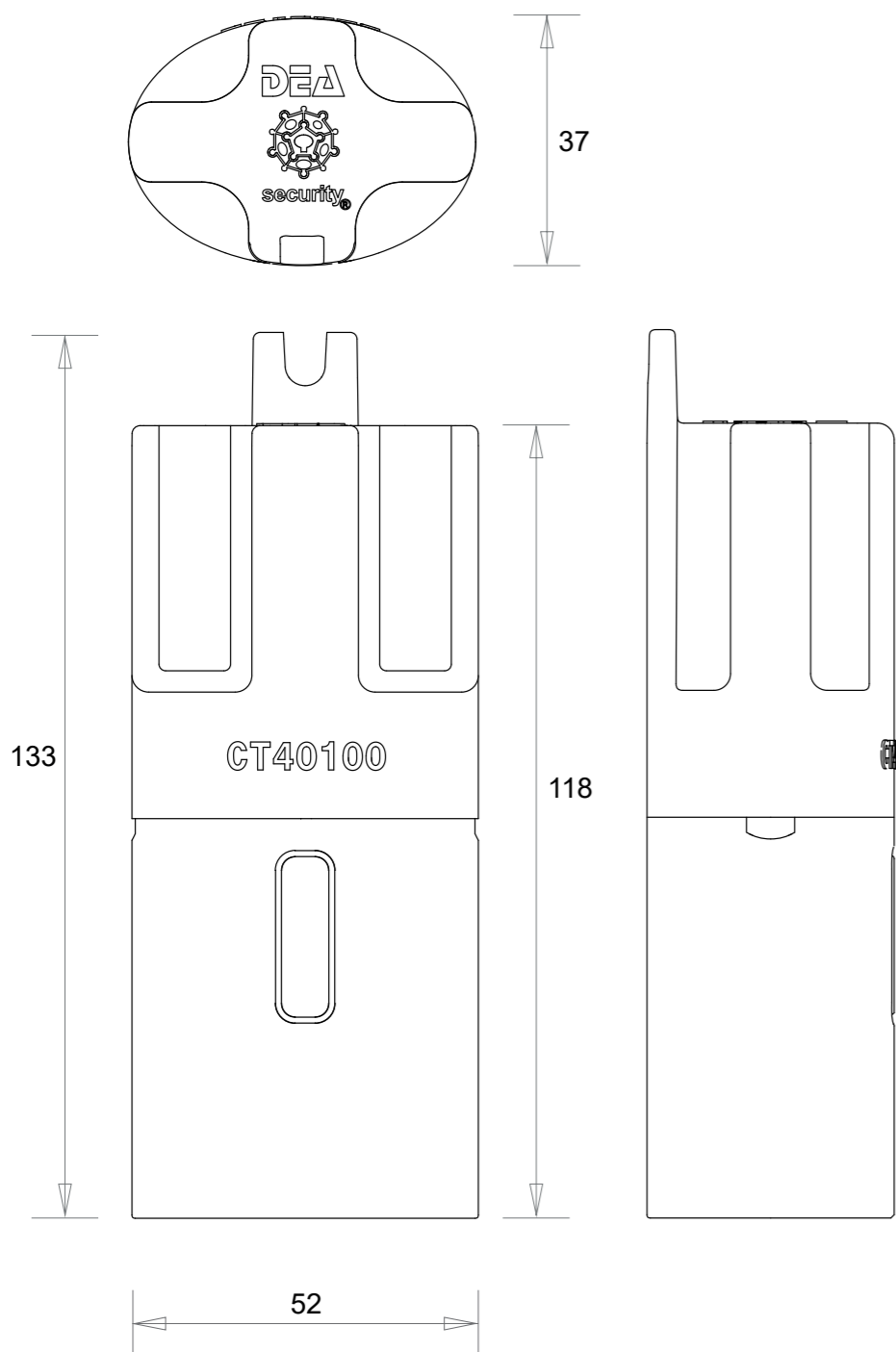
P/N JDVP-FSP2P  
 P/N TDVP-FSP2P

Scale 1:10

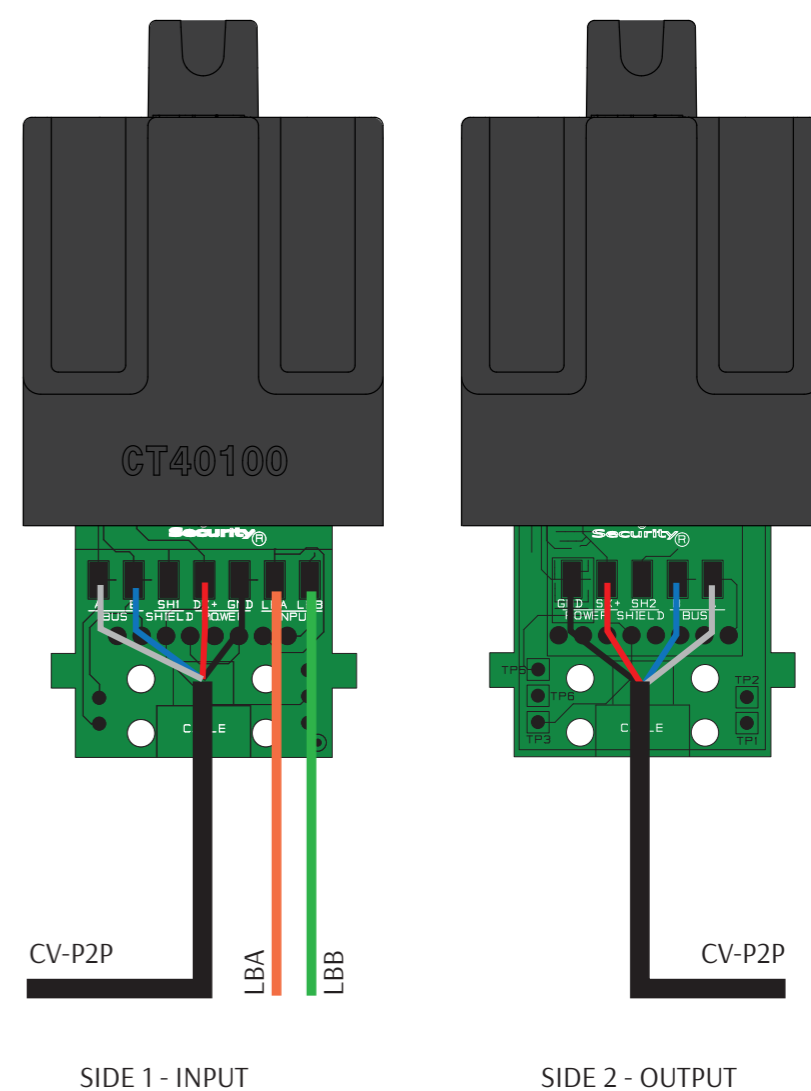


© 2021 DEA Security S.r.l. v. 1.0.0  
 DEA Security srl reserve the right to change at any time and without notice the features of its products.

# Module input P2P



## CONNECTIONS



### WARNING

After welding the conductors in the appropriate areas and closing the peripheral interface module casing, it is always necessary to use the appropriate polyurethane resin for sealing. The cables will then be fixed to the structure with the clamps provided.

### TECHNICAL DATA

- **Dimensions:** 133 x 52 x 37 mm (L x H x W)
- **Operating temperature:** -40 ÷ +80 °C
- **Relative humidity:** 0 – 100% (after sealing with RP-100 resin)
- **Material:** glass fiber reinforced polyamide
- **Colour:** black
- **Analog inputs:** 1 triple balanced input

### PROJECT ICON



# FUSIONP2P

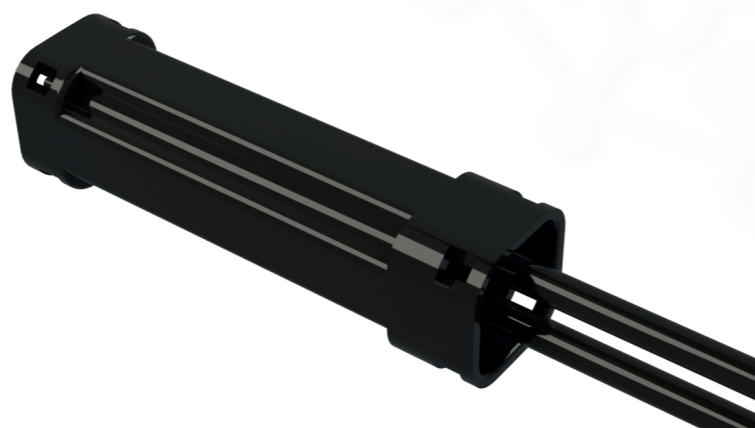
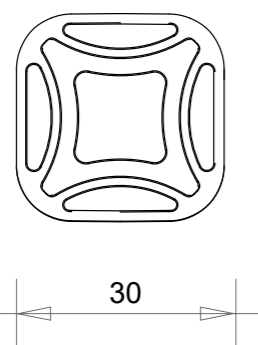
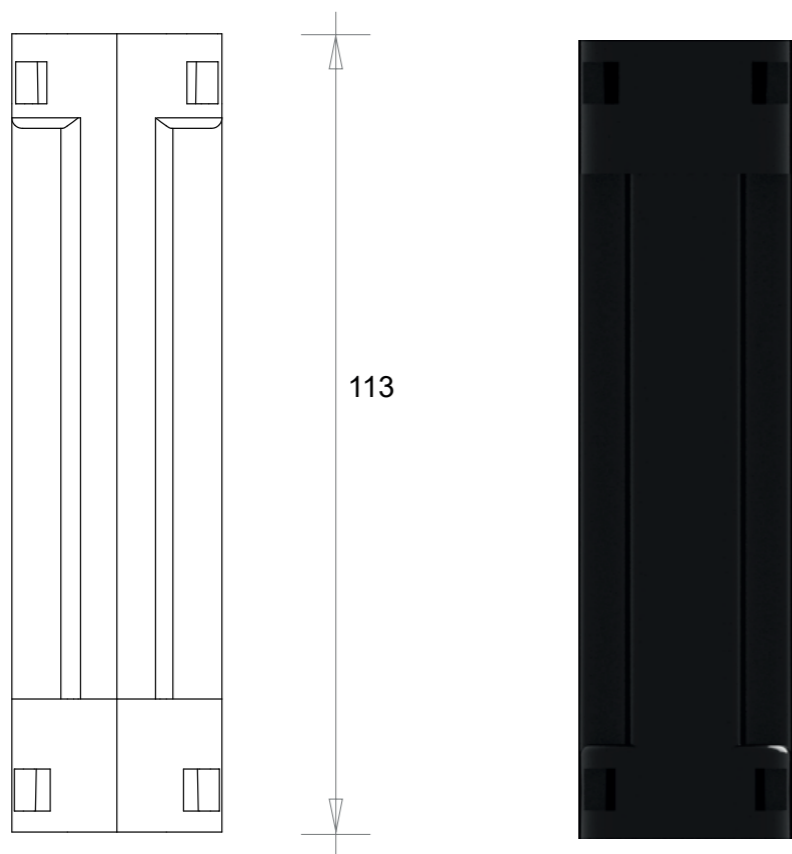
Input module

P/N SC-P2P-IN1 Scale 1:10



© 2025 DEA Security S.r.l. v. 1.0.1  
DEA Security srl reserve the right to change at any time and without notice the features of its products.

# Unconnectorized junction P2P



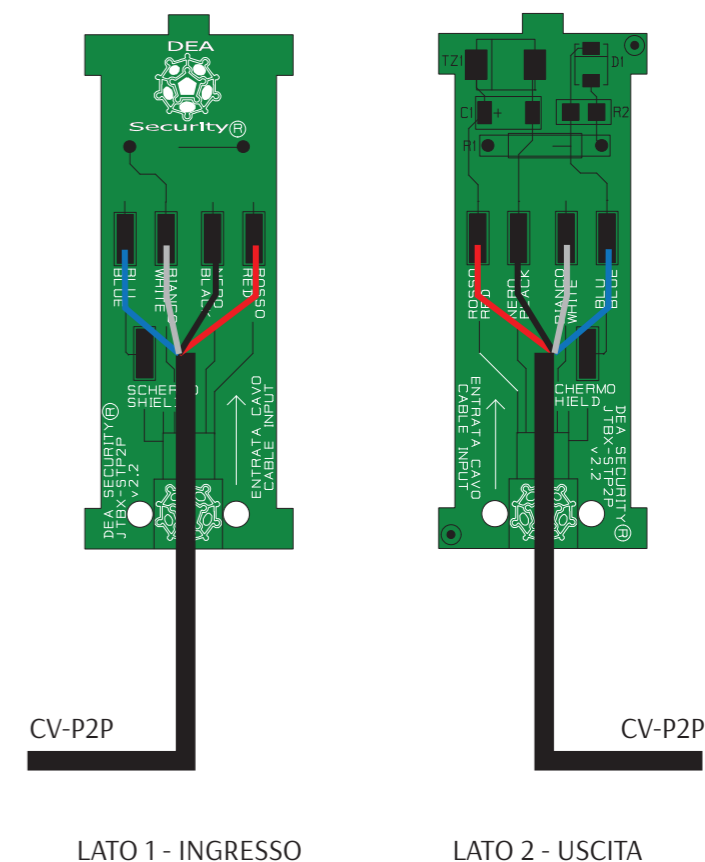
### TECHNICAL DATA

- **Environmental class:** IV (in accordance with EN-50130-5)
- **Dimensions:** 30 x 30 x 114 mm (L x H x W)
- **Operating temperature:** -40 ÷ +80 °C
- **Relative humidity:** 0 - 100% (after sealing with RP-100 resin)
- **Protection rating:** IP68
- **Material:** glass fiber reinforced polyamide
- **Colour:** black

### PROJECT ICON



### CONNECTIONS



### WARNING



After welding the conductors in the appropriate areas and closing the peripheral interface module casing, it is always necessary to use the appropriate polyurethane resin for sealing. The cables will then be fixed to the structure with the clamps provided.

# FUSIONP2P

Unconnectorized junction

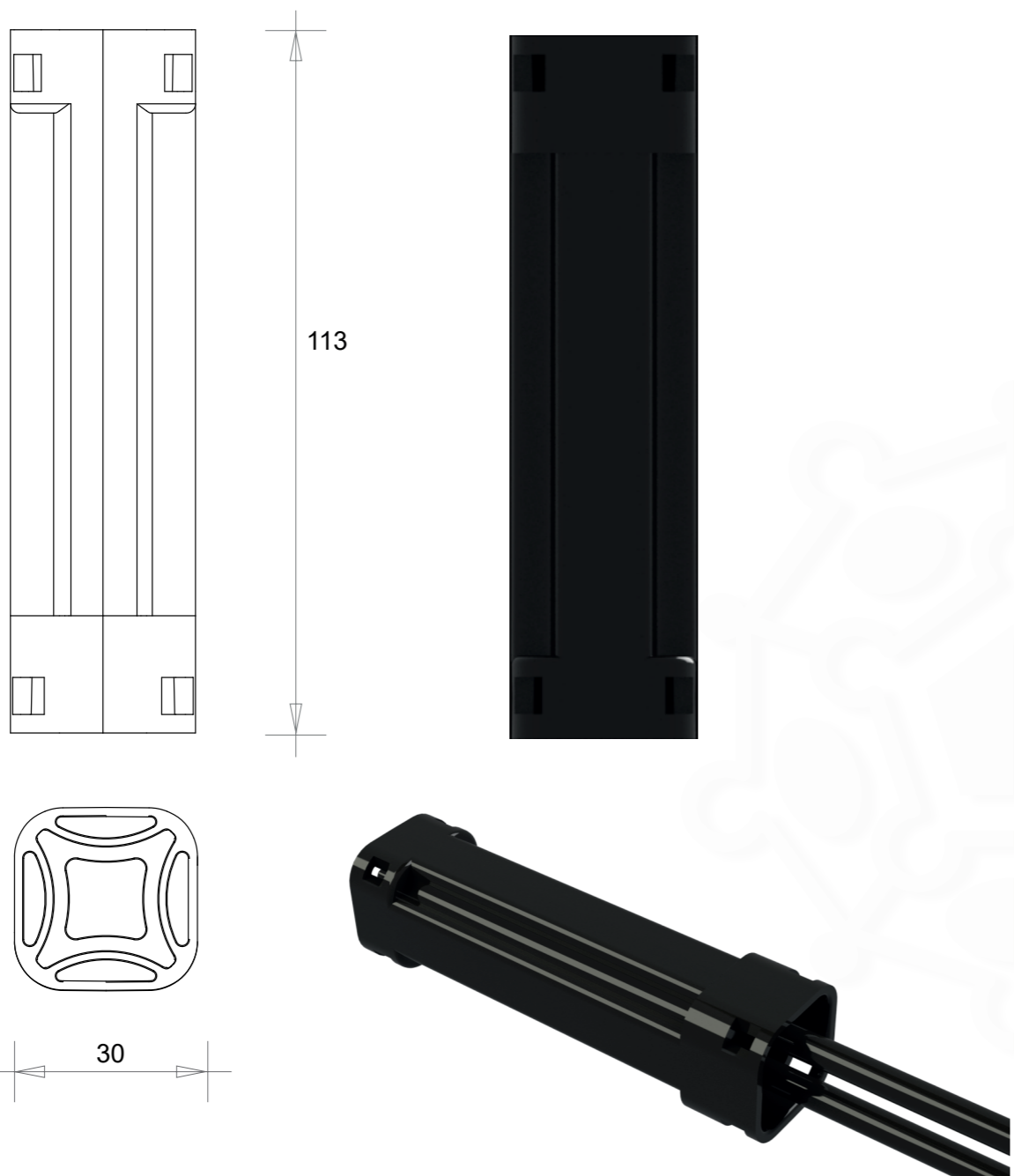
P/N JBX-P2P

Scala 1:10



© 2021 DEA Security S.r.l. v. 1.0.0  
DEA Security srl reserve the right to change at any time and without notice the features of its products.

# Unconnectorized termination P2P



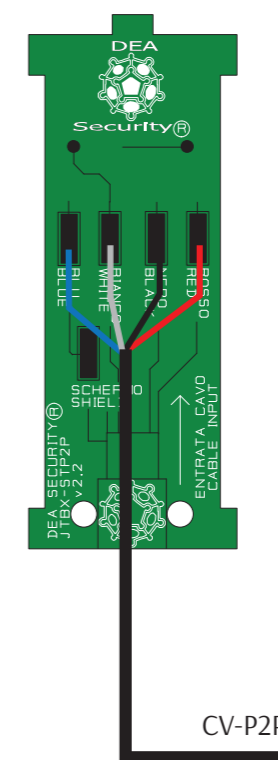
### TECHNICAL DATA

- **Environmental class:** IV (in accordance with EN-50130-5)
- **Dimensions:** 30 x 30 x 114 mm (L x H x W)
- **Operating temperature:** -40 ÷ +80 °C
- **Relative humidity:** 0 – 100% (after sealing with RP-100 resin)
- **Protection rating:** IP68
- **Material:** glass fiber reinforced polyamide
- **Colour:** black

### PROJECT ICON



### CONNECTIONS



LATO 1 - INGRESSO

### WARNING



After welding the conductors in the appropriate areas and closing the peripheral interface module casing, it is always necessary to use the appropriate polyurethane resin for sealing. The cables will then be fixed to the structure with the clamps provided.

# FUSIONP2P

Unconnectorized termination

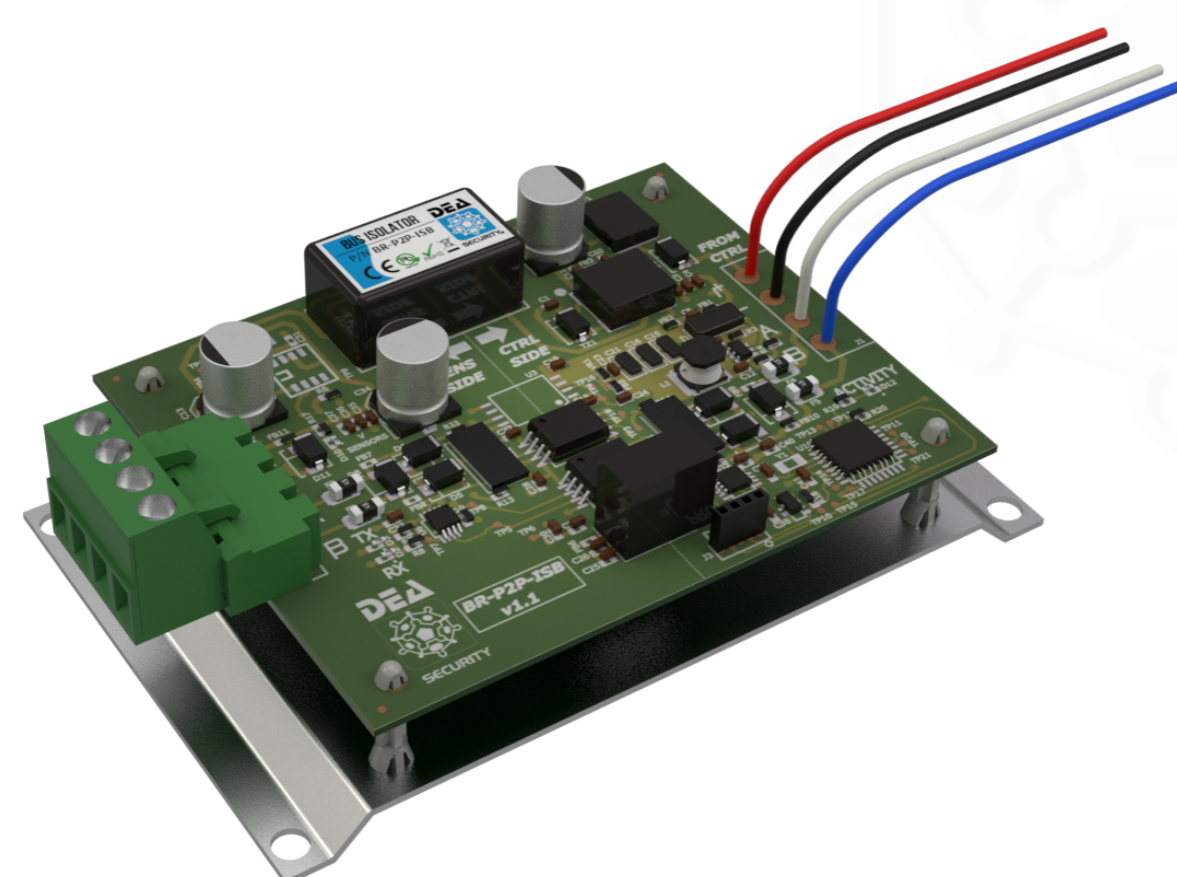
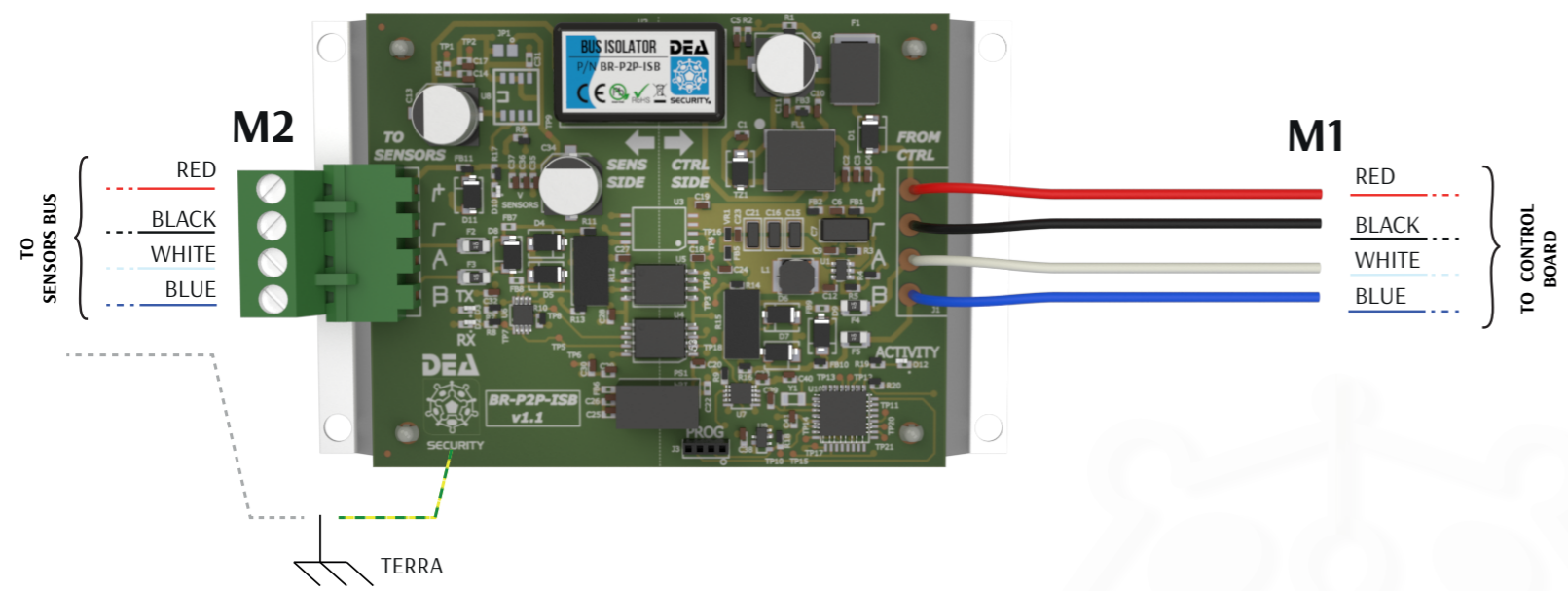
P/N TBX-P2P

Scala 1:10



© 2021 DEA Security S.r.l. v. 1.0.0  
DEA Security srl reserve the right to change at any time and without notice the features of its products.

# FUSION P2P Isolator



## TECHNICAL FEATURES

- Compliance:** Directive 2014/30/EU, EN 50130-4/A1, EN 61000-6-3/A1
- Dimensions:** 105 x 65 x 34 mm (L x H x W)
- Net weight:** 45 g
- Power supply:** 24 V<sub>DC</sub> (±25%)
- Current:** 150 mA (max - carico 150 sensori)
- Operating temperature:** -40 ÷ +85 °C
- Isolation withstand voltage:** 1,5 KV for 60 seconds
- Relative humidity:** <95% non condensing
- Input:** from Controller
- Output:** to sensors bus

## ICON

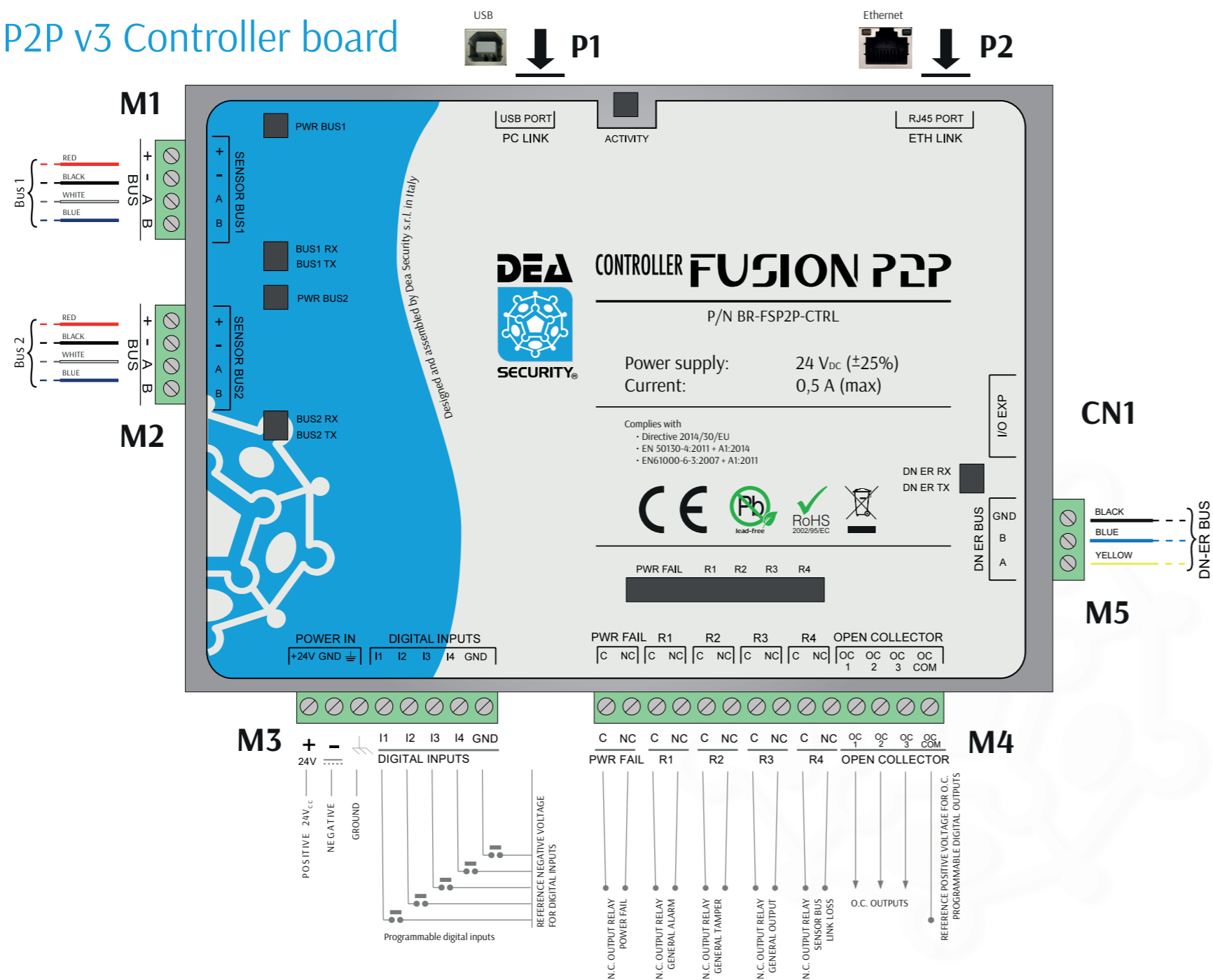


**FUSIONP2P**  
 Isolator  
 P/N BR-P2P-ISB



© 2024 DEA Security S.r.l. v. 1.0.1  
 DEA Security srl reserve the right to change at any time and without notice the features of its products.

# P2P v3 Controller board



## TECHNICAL FEATURES

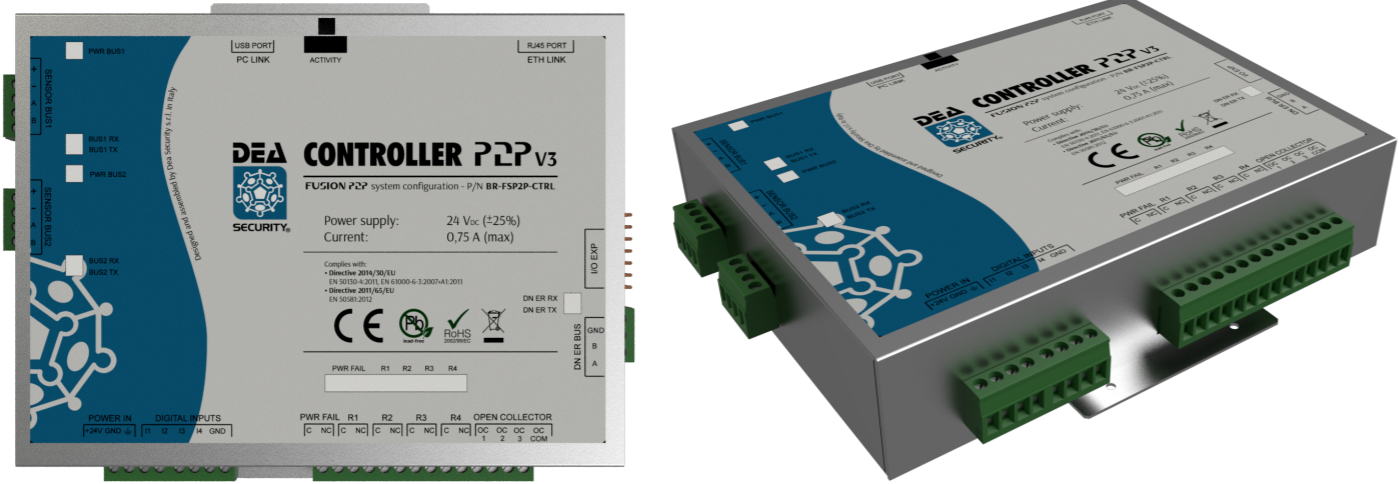
- Compliance:** Directive 2014/30/EU, EN 50130-4/A1, EN 61000-6-3/A1
- Dimensions:** 185 x 135 x 41 mm (L x H x W)
- Package dimensions:** 280 x 160 x 70 mm (L x H x W)
- Gross weight:** 705 g
- Net weight:** n.d.
- Power supply:** 24 V<sub>CC</sub> (+/-25%)
- Current:** 0,75 A (max)
- Operating temperature:** -40 ÷ +85 °C
- Relative humidity:** <95% non condensing
- Management capability:** up to 150 FUSION P2P sensors each bus
- Digital inputs:** No 8 optoisolated inputs (software programmable)
- NC relay outputs (positive security):**
  - low battery
  - general alarm
  - general tamper
  - sensor failure
  - bus link loss
  - up to 128 external on optional boards (8 SC-DN-ER16 or 8 BR-XS-RE16L)
- OC outputs:** No 3 programmable
- Connections:**
  - Ethernet (RJ45)
  - USB
- Calibrations and configurations by means of service software**
- CPU:** 32 bit, 168 MHz
- Digital memory:** more than 20.000 events
- Service software licence included**

## ICON



## TUTORIAL VIDEO

SCAN QR CODE to view the installation tutorial video.

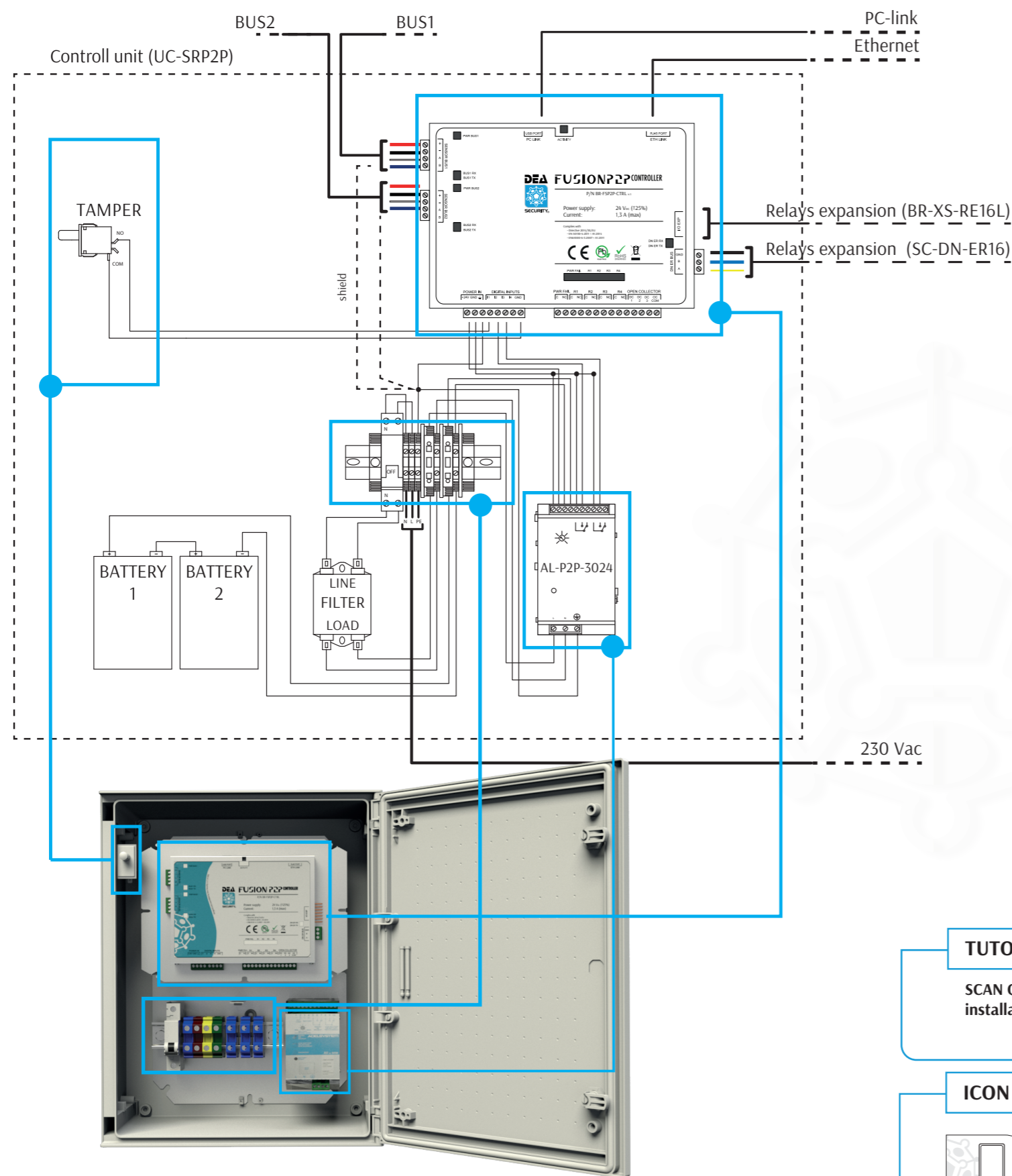


**FUSION P2P**  
CONTROLL board  
cod. BR-FSP2P-CTRL



© 2020 DEA Security S.r.l. v. 1.0.0  
DEA Security srl reserve the right to change at any time and without notice the features of its products.

# Controll unit FUSION P2P - Connections scheme



## TECHNICAL FEATURES

• **Compliance:** Directive 2014/30/EU, EN 50130-4/A1, EN 61000-6-3/A1, IEC 60695-2-10, IEC 60695-2-11, IEC 60695-11-5, IEC 62208



### BOX

- **Environmental class:** IV (in accordance with CEI EN-50130-5)
- **Dimensions:** 300 x 400 x 200 mm (L x H x W)
- **Net weight:** 7.600 g (excluding batteries)
- **Material:** polyester self-extinguishing housing, provided with ventilation devices.
- **Insulation:** double, halogen-free
- **Termical class:** 105
- **Protection rating:** IP66 (IP43 with ventilation devices), IK10
- **Operating temperature:** -30 ÷ +70 °C

### POWER SUPPLY

- **Dimensions:** 65 x 115 x 135 mm (L x H x W)
- **Power supply(from net):** 115/230 V<sub>AC</sub> ± 10% 50 Hz
- **Current (from net):**

- max 0,25 A (230 V<sub>AC</sub>)
- max 0,5 A (115 V<sub>AC</sub>)

- **Operating temperature:** -25 ÷ +70 °C
- **Relative humidity:** <95% non condensing
- **SPDT relay outputs:**

- low or damaged battery
- mains or battery power supply

### Backup batteries:

2 lead batteries (12 V / 7,2 Ah)

### CONTROL BOARD

- **Dimensions:** 178 x 130 x 40 mm (L x H x W)
- **Power supply:** 24 V<sub>DC</sub> (+/-25%)
- **Current:** 0,75 A (max)
- **Operating temperature:** -25 ÷ +80 °C
- **Relative humidity:** <95% non condensing
- **Management capability:** up to 150 FUSION P2P sensors each bus
- **Digital inputs:** no 4 optoisolated, service software programmable
- **NC relay outputs (positive security):** low battery, general alarm, general tamper, sensor failure, bus link loss, up to a 128 external on optional boards (8 SC-DN-ER16 or 8 BR-XS-RE16L)
- **OC outputs:** no 3 outputs, service software programmable
- **Connections:** Ethernet (RJ45), USB
- **Calibrations and configurations by means of service software**
- **CPU:** 32 bit, 168 MHz
- **Digital memory:** more than 20.000 events
- **Service software licence included**

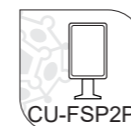
For further information refer to the product datasheet.

### TUTORIAL VIDEO

SCAN QR CODE to view the installation tutorial video.



### ICON



# FUSION P2P

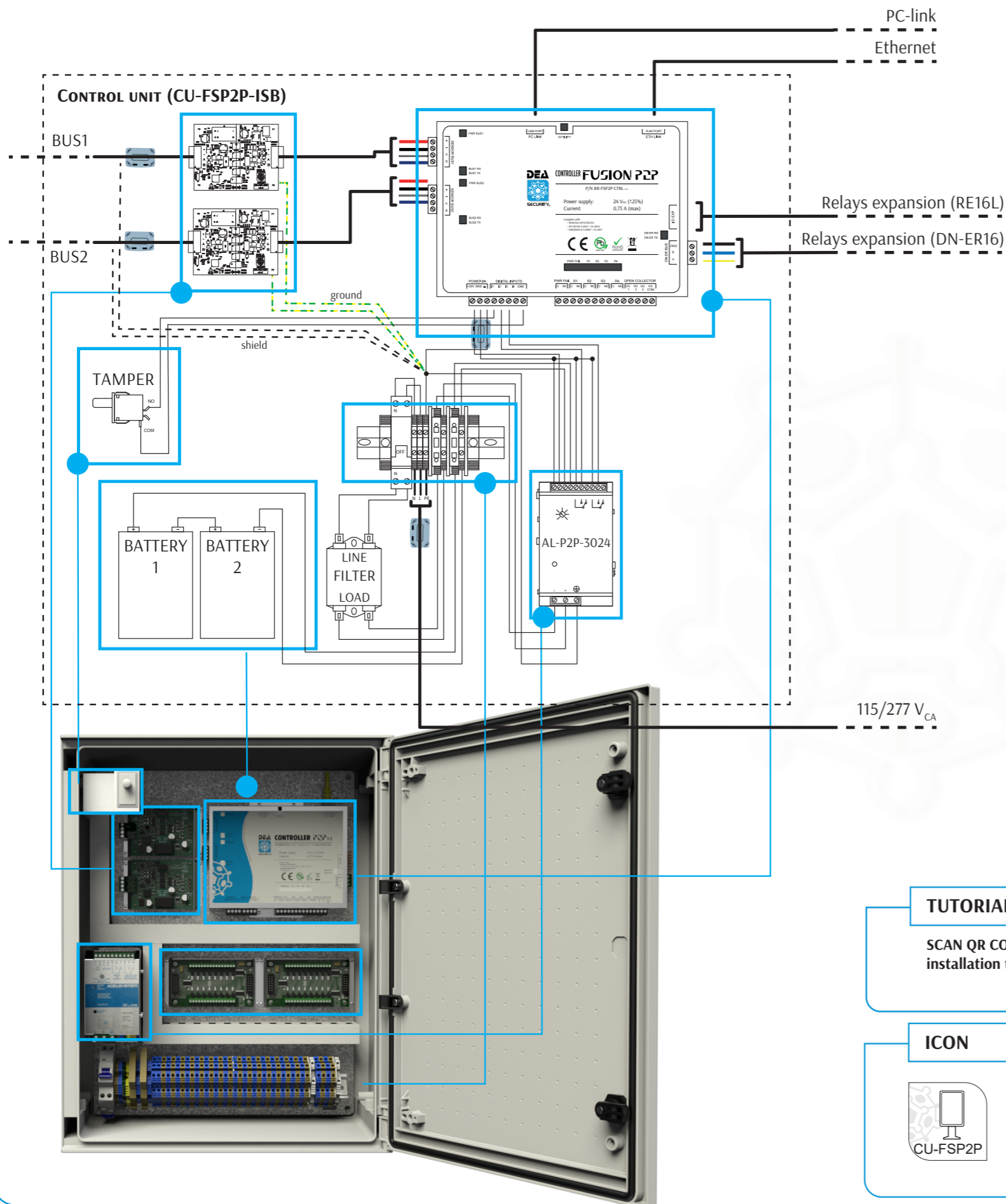
Controll unit

cod. CU-FSP2P



© 2020 DEA Security S.r.l. v. 1.0.0  
DEA Security srl reserve the right to change at any time and without notice the features of its products.

# Controll unit FUSION P2P ISB - Connections scheme



## TECHNICAL FEATURES

**Compliance:** Directive 2014/30/EU, EN 50130-4/A1, EN 61000-6-3/A1, IEC 60695-2-10, IEC 60695-2-11, IEC 60695-11-5, IEC 62208



### BOX

- Environmental class:** IV (in accordance with CEI EN-50130-5)
- Dimensions:** 300 x 400 x 200 mm (L x H x W)
- Net weight:** 7.600 g (excluding batteries)
- Material:** polyester self-extinguishing housing, provided with ventilation devices.
- Insulation:** double, halogen-free
- Termical class:** 105
- Protection rating:** IP66 (IP43 with ventilation devices), IK10
- Operating temperature:** -30 ÷ +70 °C

### POWER SUPPLY

- Dimensions:** 65 x 115 x 135 mm (Lx H x W)
- Power supply(from net):** 115/230 V<sub>AC</sub> ± 10% 50 Hz
- Current (from net):**
  - ♦ max 0,26 A (230 V<sub>AC</sub>)
  - ♦ max 0,52 A (115 V<sub>AC</sub>)

- Operating temperature:** -25 ÷ +70 °C
- Relative humidity:** <95% non condensing
- SPDT relay outputs:**
  - ♦ low or damaged battery
  - ♦ mains or battery power supply

### Backup batteries:

- ♦ 2 lead batteries (12 V / 7,2 Ah)

### CONTROL BOARD WITH ISOLATOR

- Dimensions:**
  - ♦ Control board: 185 x 160 x 40 mm (L x H x D)
  - ♦ Isolator: 65 x 115 x 135 mm (Lx H x W)
- Power supply:** 24 V<sub>DC</sub> (+/-25%)
- Current:** 0,75 A (max)
- Operating temperature:** -25 ÷ +80 °C
- Relative humidity:** <95% non condensing
- Management capability:** up to 150 FUSION P2P sensors each bus
- Digital inputs:** no 4 optoisolated, service software programmable
- NC relay outputs (positive security):** low battery, general alarm, general tamper, sensor failure, bus link loss, up to a 128 external on optional boards (8 SC-DN-ER16 or 8 BR-XS-RE16L)
- OC outputs:** no 3 outputs, service software programmable
- Connections:** Ethernet (RJ45), USB
- Calibrations and configurations by means of service software**
- CPU:** 32 bit, 168 MHz
- Digital memory:** more than 20.000 events
- Service software licence included**

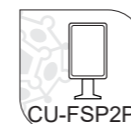
For further information refer to the product datasheet.

### TUTORIAL VIDEO

SCAN QR CODE to view the installation tutorial video.



### ICON



# FUSIONP2P

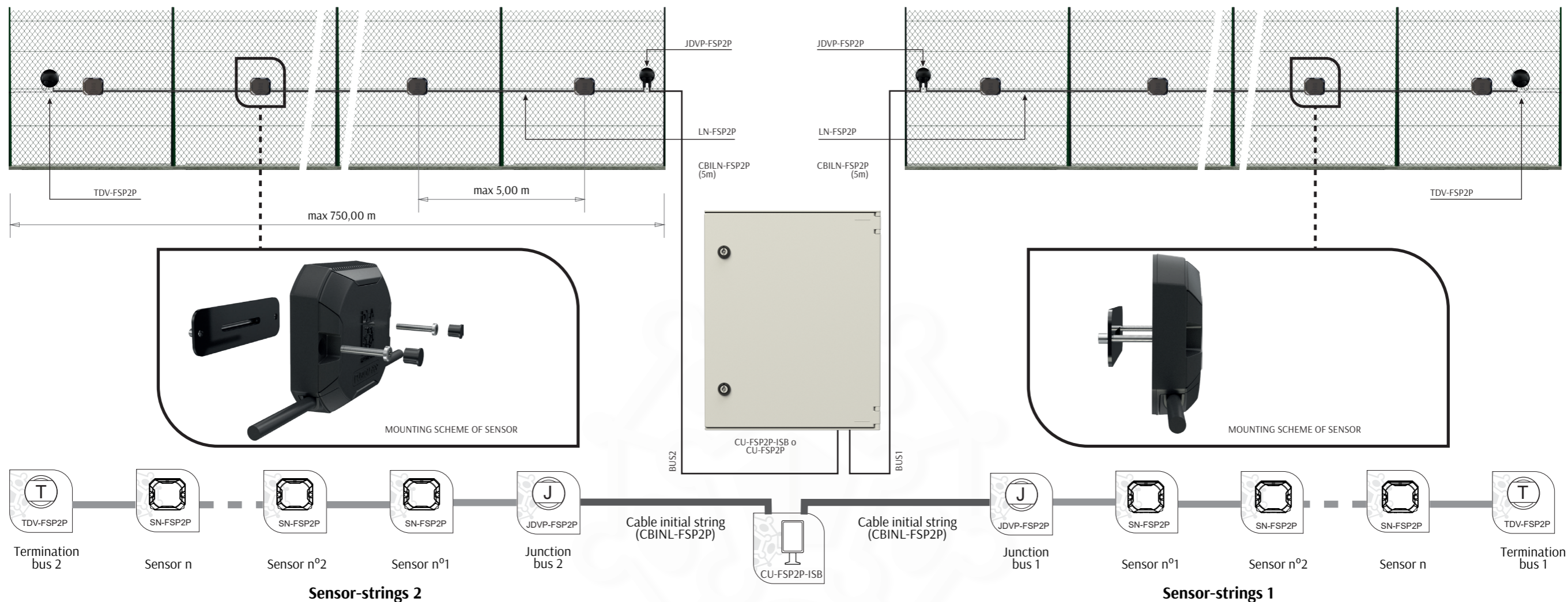
Controll unit

cod. CU-FSP2P



© 2020 DEA Security S.r.l. v. 1.0.0  
DEA Security srl reserve the right to change at any time and without notice the features of its products.

# Typical sensor-strings scheme (distance sensor-string/CU < 5 m)



## VERSIONS AVAILABLE

P/N	SENSORS SPACING	No SENSORS EACH STRING	TYPE OF CABLE	WEIGHT PACKAGE
LN5-FSP2P-300	3 m	5	standard	2 kg
LN15-FSP2P-300	3 m	15	standard	7 kg
LN25-FSP2P-300	3 m	25	standard	11 kg
LN5-FSP2P-500	5 m	5	standard	3 kg
LN15-FSP2P-500	5 m	15	standard	9 kg
LN5-FSP2P-300A	3 m	5	armored	n.d.
LN15-FSP2P-300A	3 m	15	armored	n.d.
LN25-FSP2P-300A	3 m	25	armored	n.d.
LN5-FSP2P-500A	5 m	5	armored	n.d.
LN15-FSP2P-500A	5 m	15	armored	n.d.

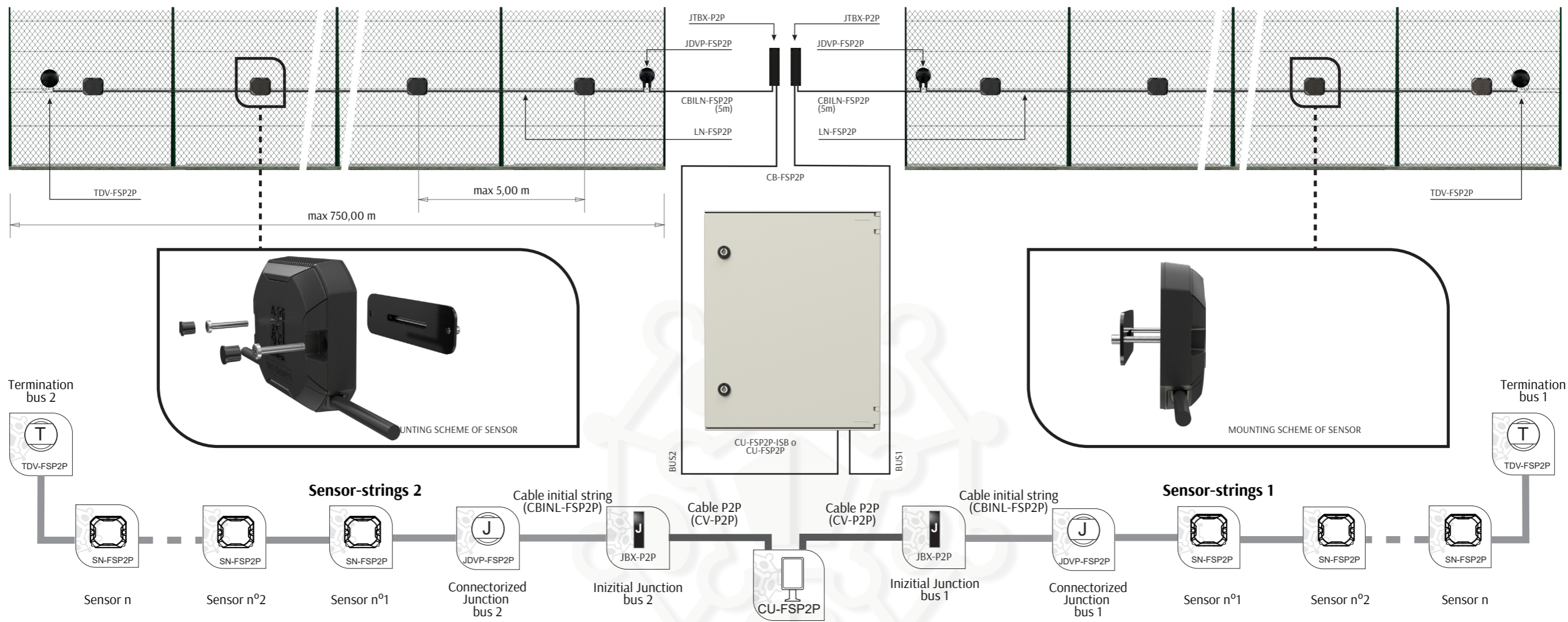
**TUTORIAL VIDEO**

SCAN QR CODE to view the installation tutorial video.

**FUSIONP2P**  
Sensor-strings  
P/N LN-FSP2P

© 2023 DEA Security S.r.l. v. 1.0.1  
DEA Security srl reserve the right to change at any time and without notice the features of its products.

# Typical sensor-strings scheme (distance sensor-string/CU > 5 m)



## VERSIONS AVAILABLE

P/N	SENSORS SPACING	No SENSORS EACH STRING	TYPE OF CABLE	WEIGHT PACKAGE
LN5-FSP2P-300	3 m	5	standard	2 kg
LN15-FSP2P-300	3 m	15	standard	7 kg
LN25-FSP2P-300	3 m	25	standard	11 kg
LN5-FSP2P-500	5 m	5	standard	3 kg
LN15-FSP2P-500	5 m	15	standard	9 kg
LN5-FSP2P-300A	3 m	5	armored	n.d.
LN15-FSP2P-300A	3 m	15	armored	n.d.
LN25-FSP2P-300A	3 m	25	armored	n.d.
LN5-FSP2P-500A	5 m	5	armored	n.d.
LN15-FSP2P-500A	5 m	15	armored	n.d.

## TUTORIAL VIDEO

SCAN QR CODE to view the installation tutorial video.

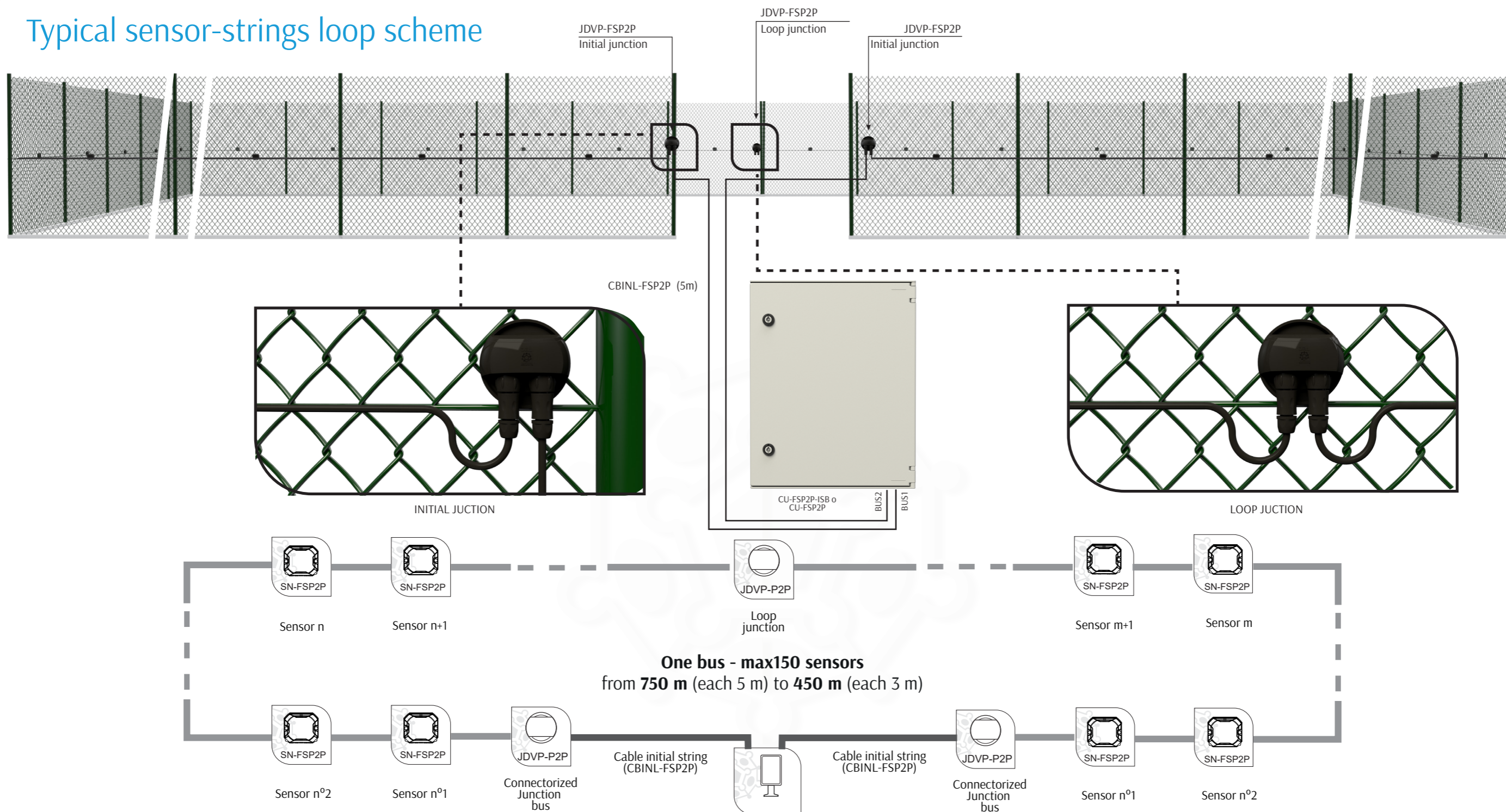


**FUSIONP2P**  
Sensor-strings  
P/N. LN-FSP2P



© 2021 DEA Security S.r.l. v. 1.0.0  
DEA Security srl reserve the right to change at any time and without notice the features of its products.

# Typical sensor-strings loop scheme

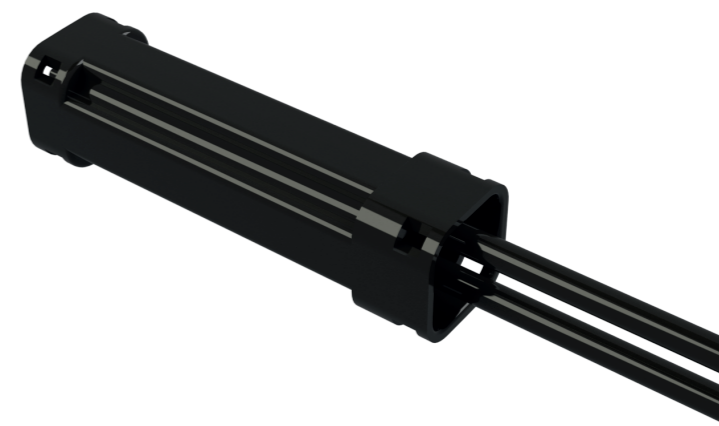
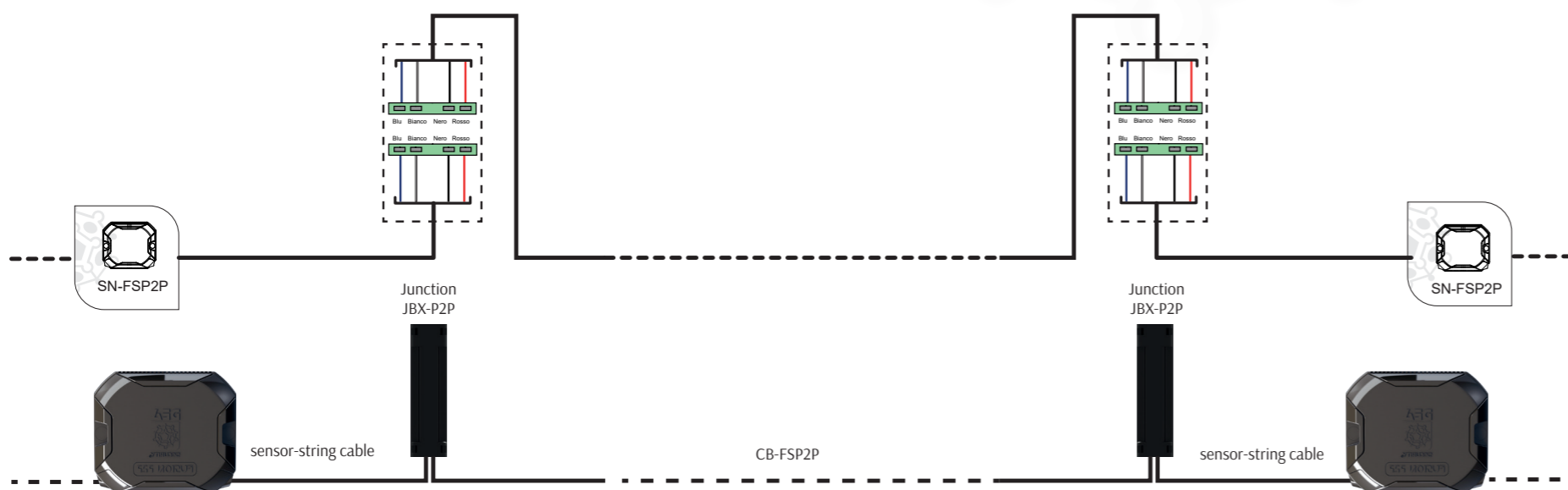
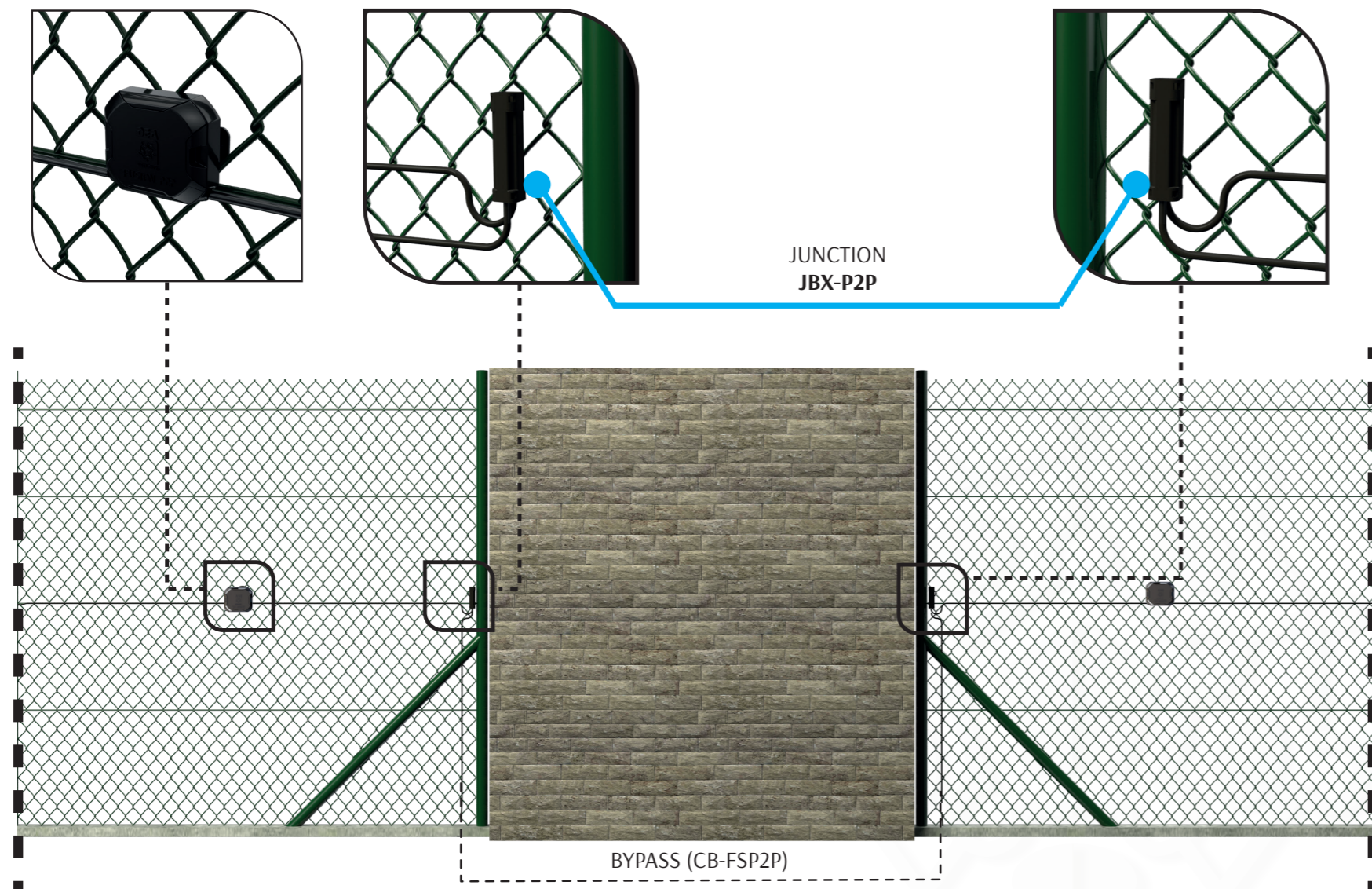


**FUSIONP2P**  
Sensor-strings  
P/N. LN-FSP2P

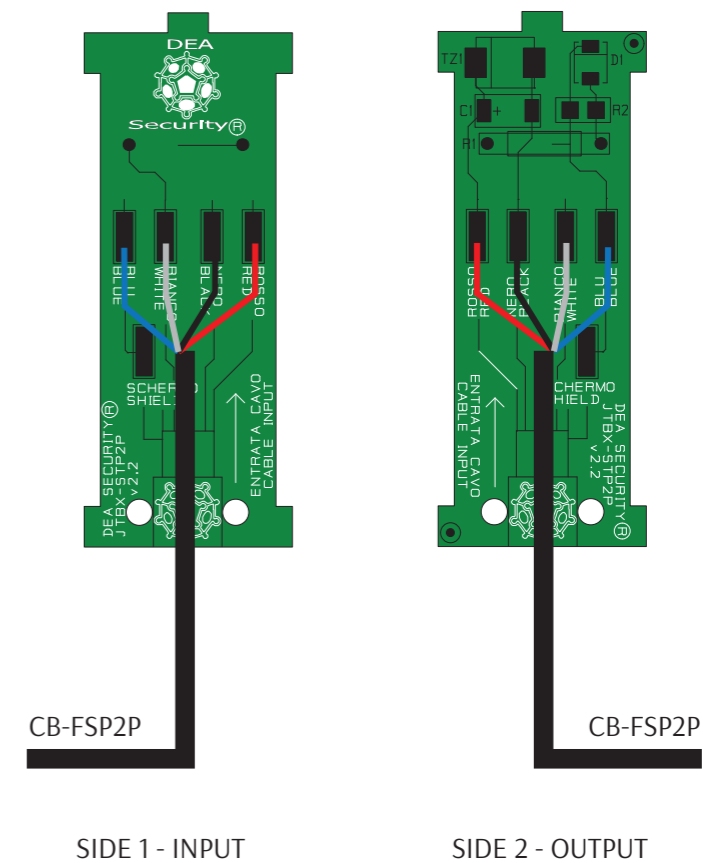


© 2021 DEA Security S.r.l. v. 1.0.0  
DEA Security srl reserve the right to change at any time and without notice the features of its products.

# Bypass scheme



## CONNECTIONS



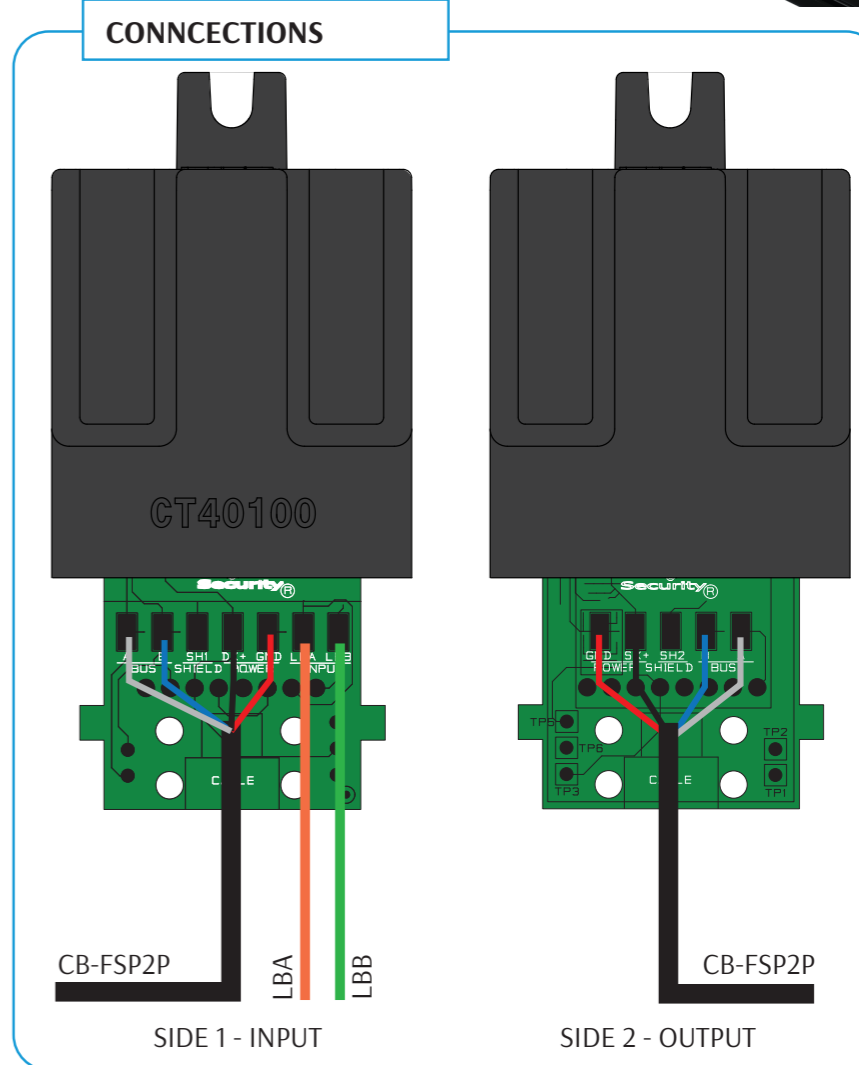
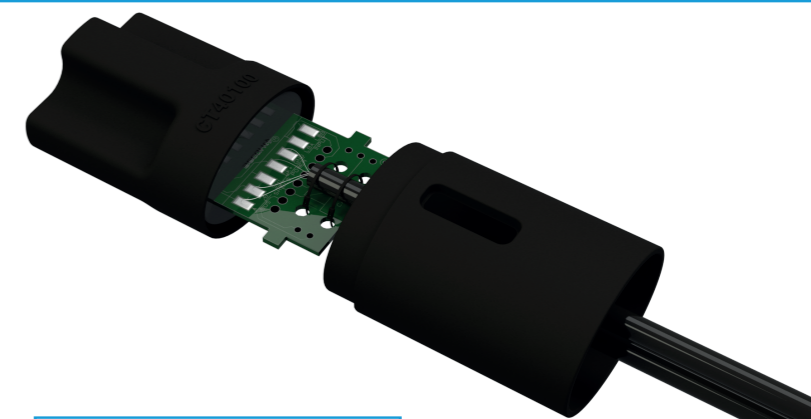
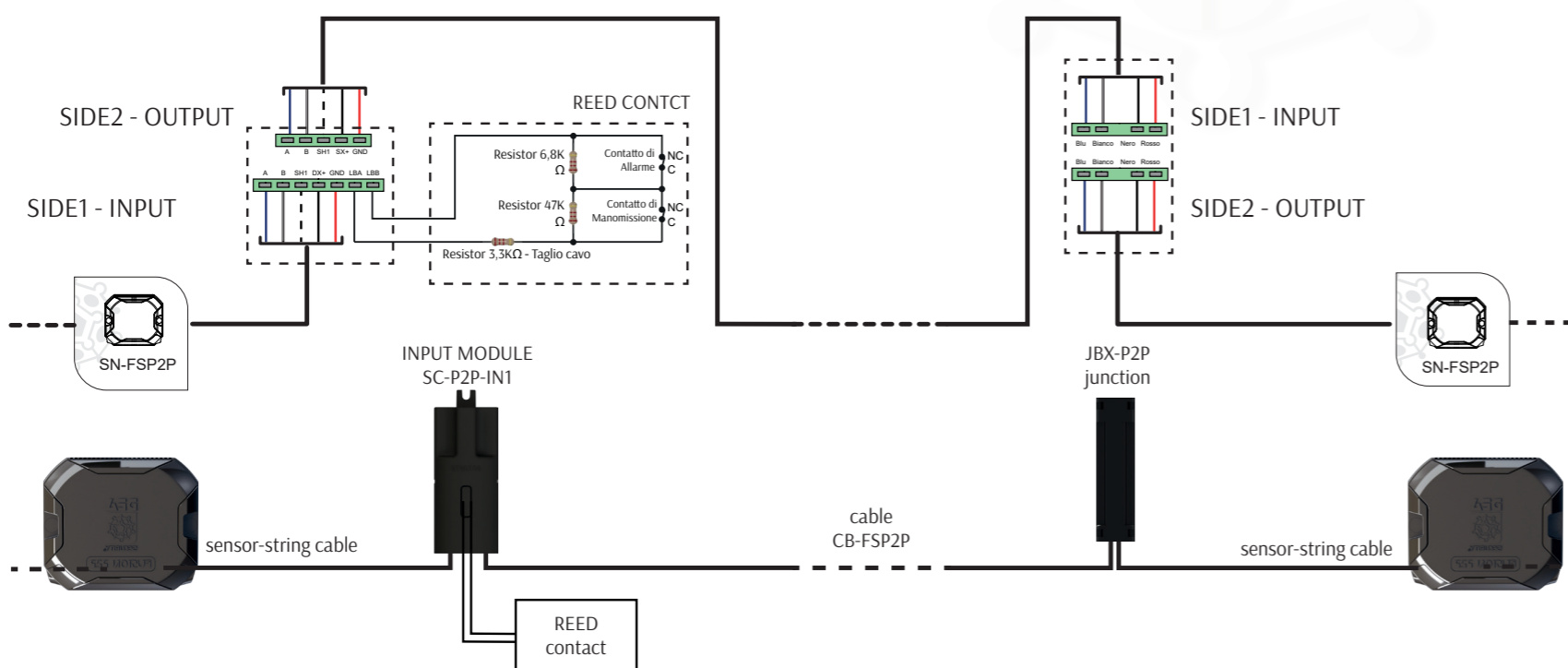
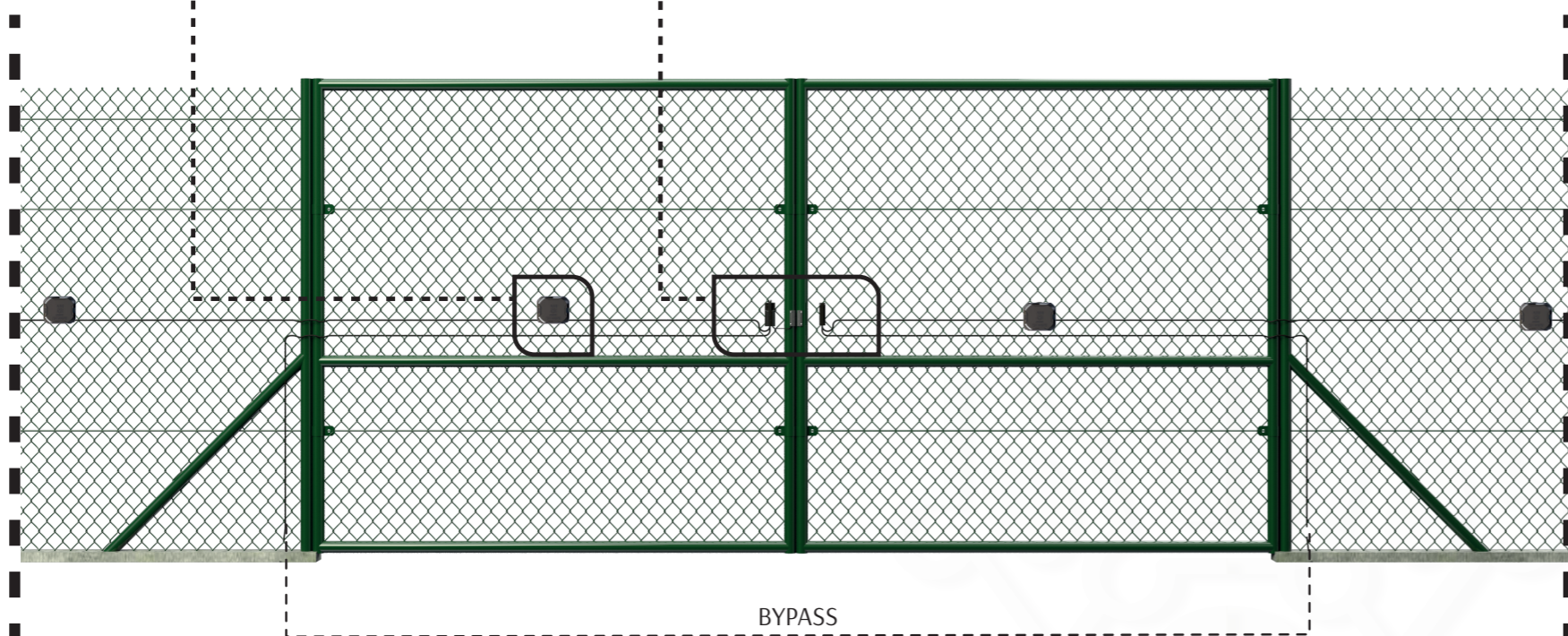
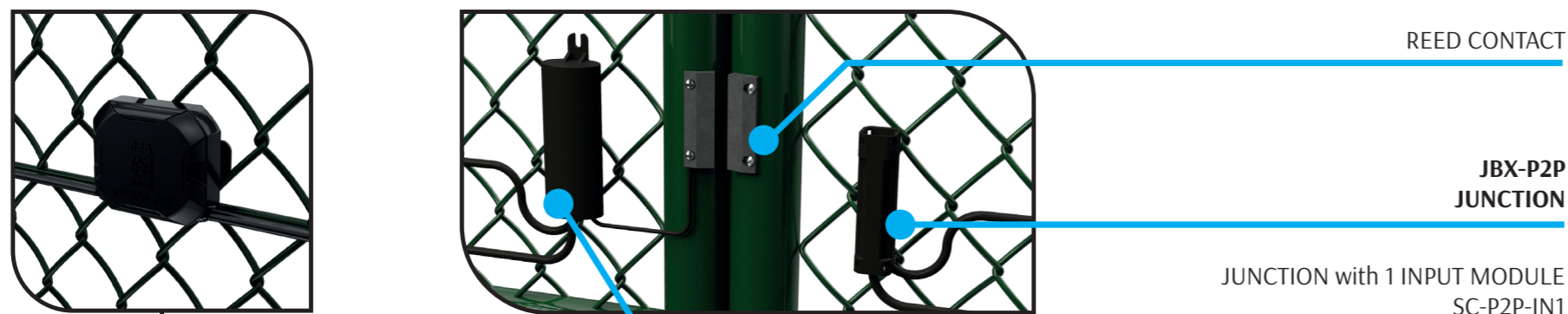
# FUSION P2P

## Bypass Applications



© 2020 DEA Security S.r.l. v. 1.0.0  
 DEA Security srl reserve the right to change at any time and without notice the features of its products.

# Third party connection application - Swing gate

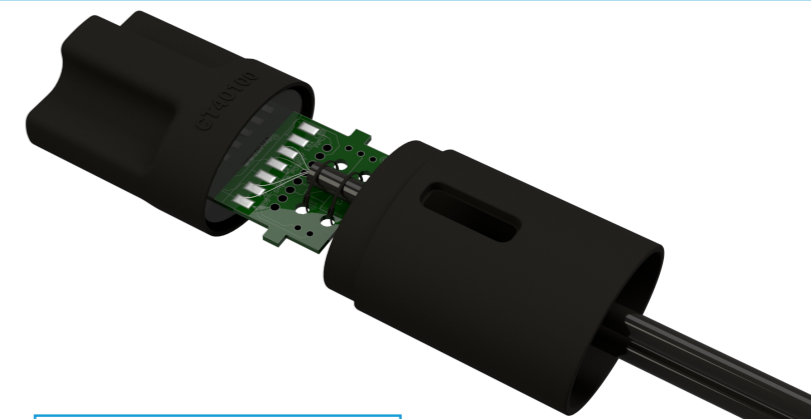
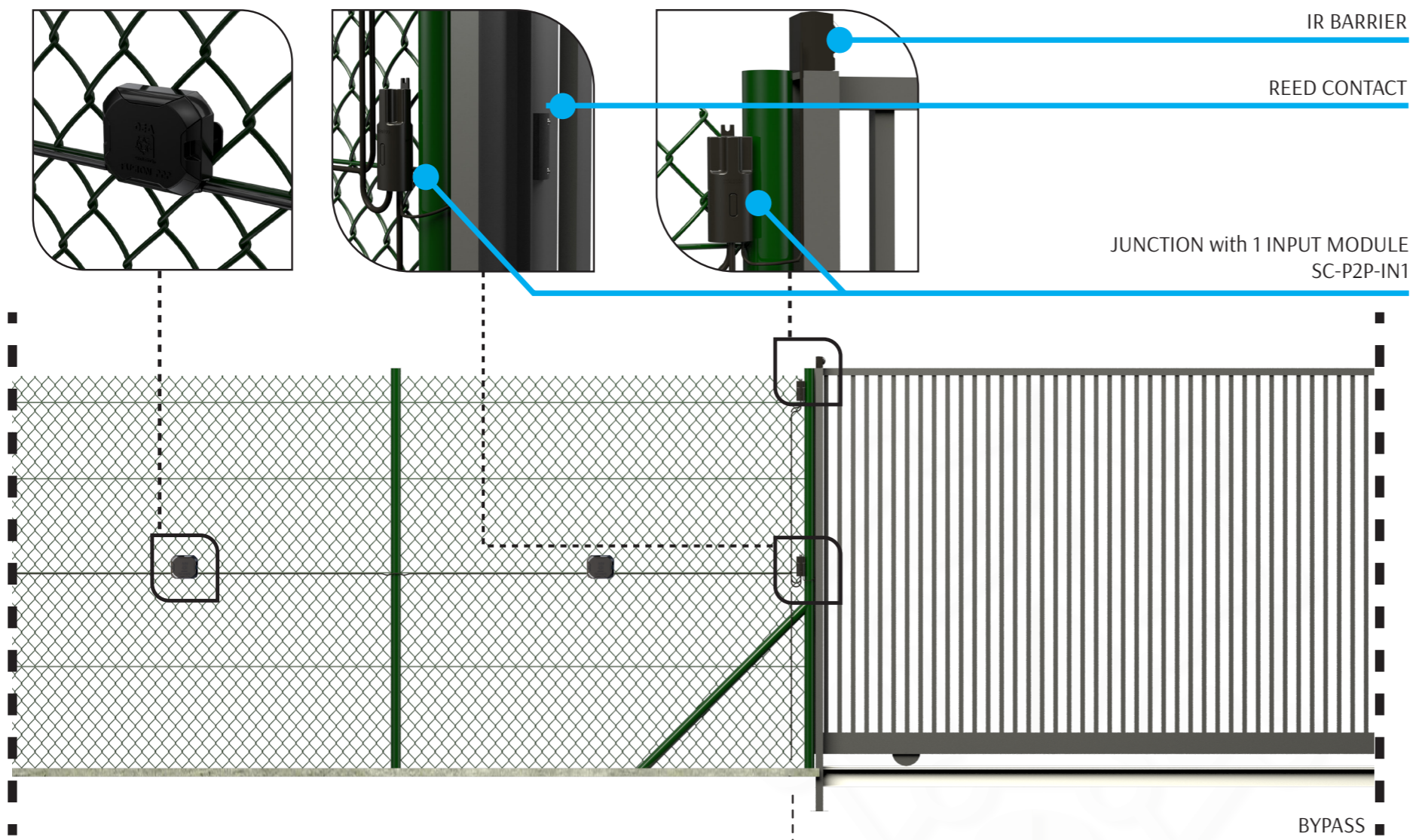


**FUSIONP2P**  
Swing gate  
Application

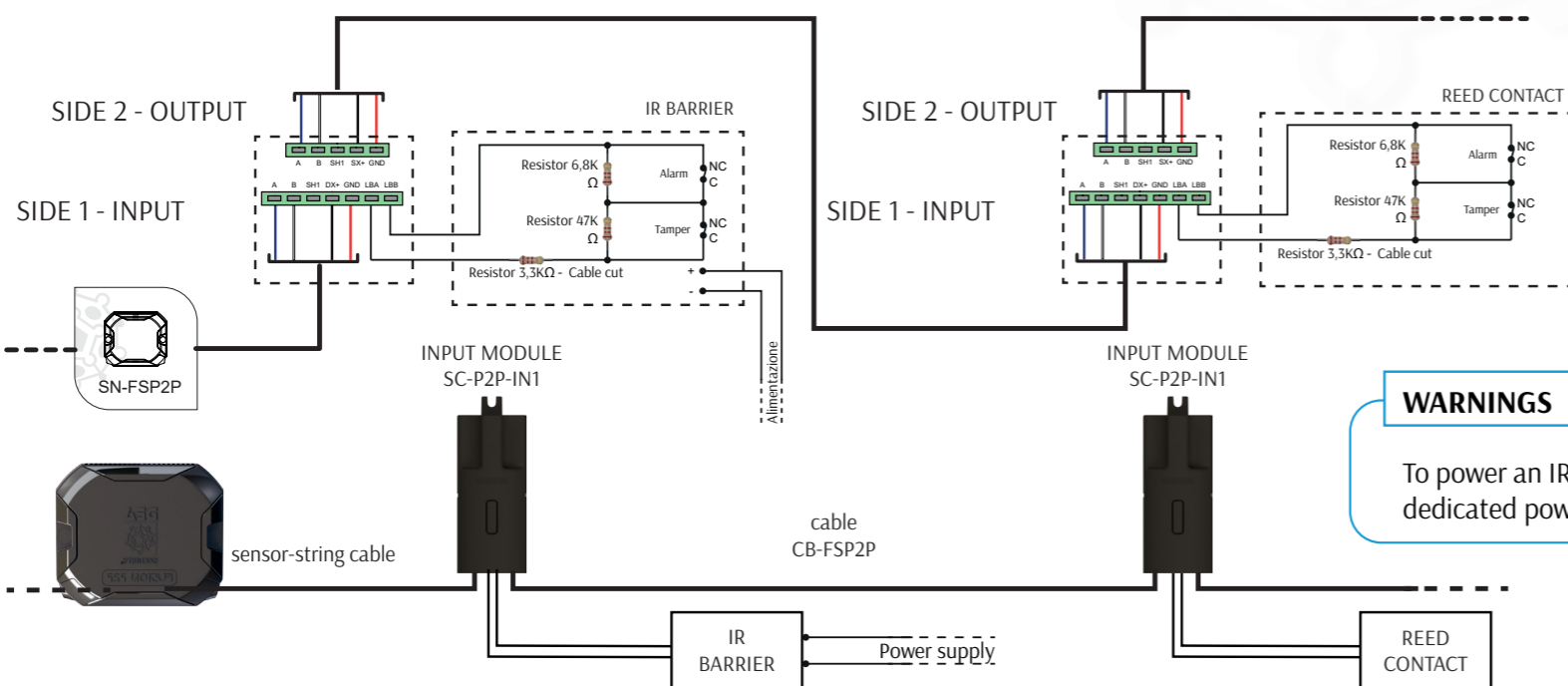
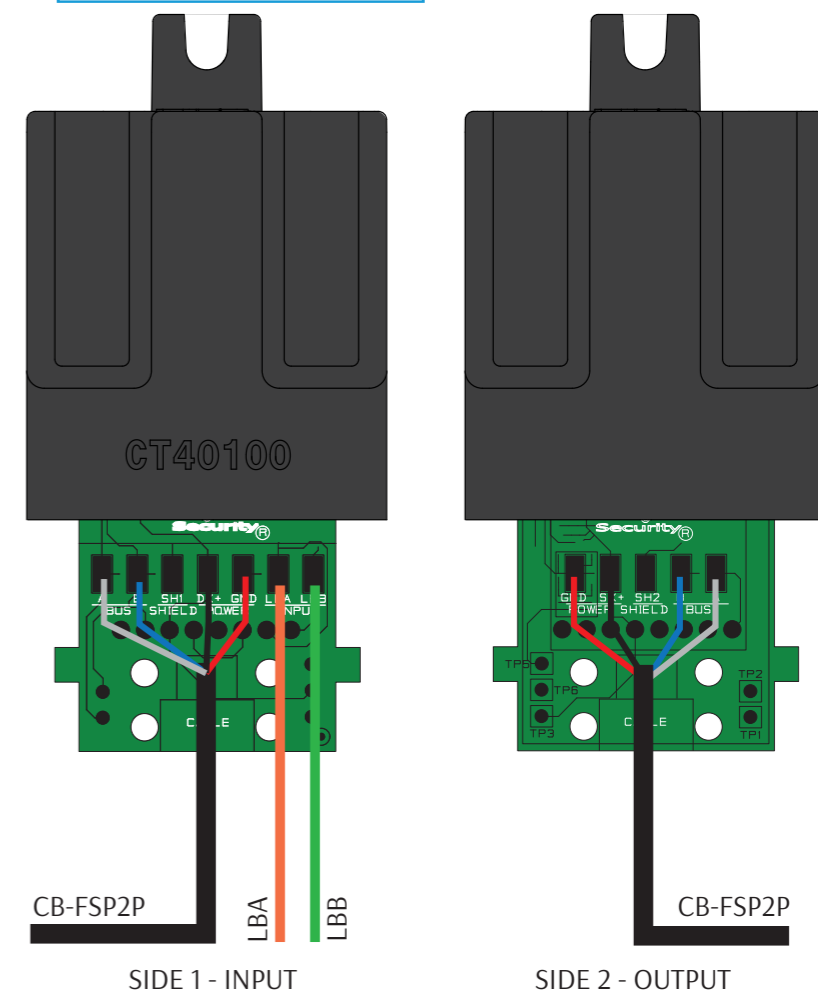


© 2021 DEA Security S.r.l. v. 1.0.0  
DEA Security srl reserve the right to change at any time and without notice the features of its products.

# Third party connection application - Sliding gate



## CONNECTIONS



### WARNINGS

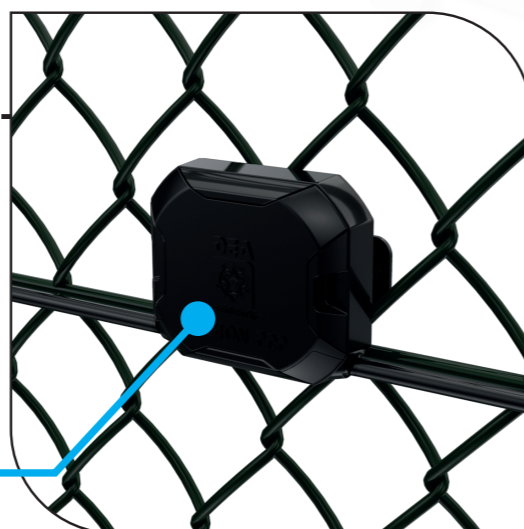
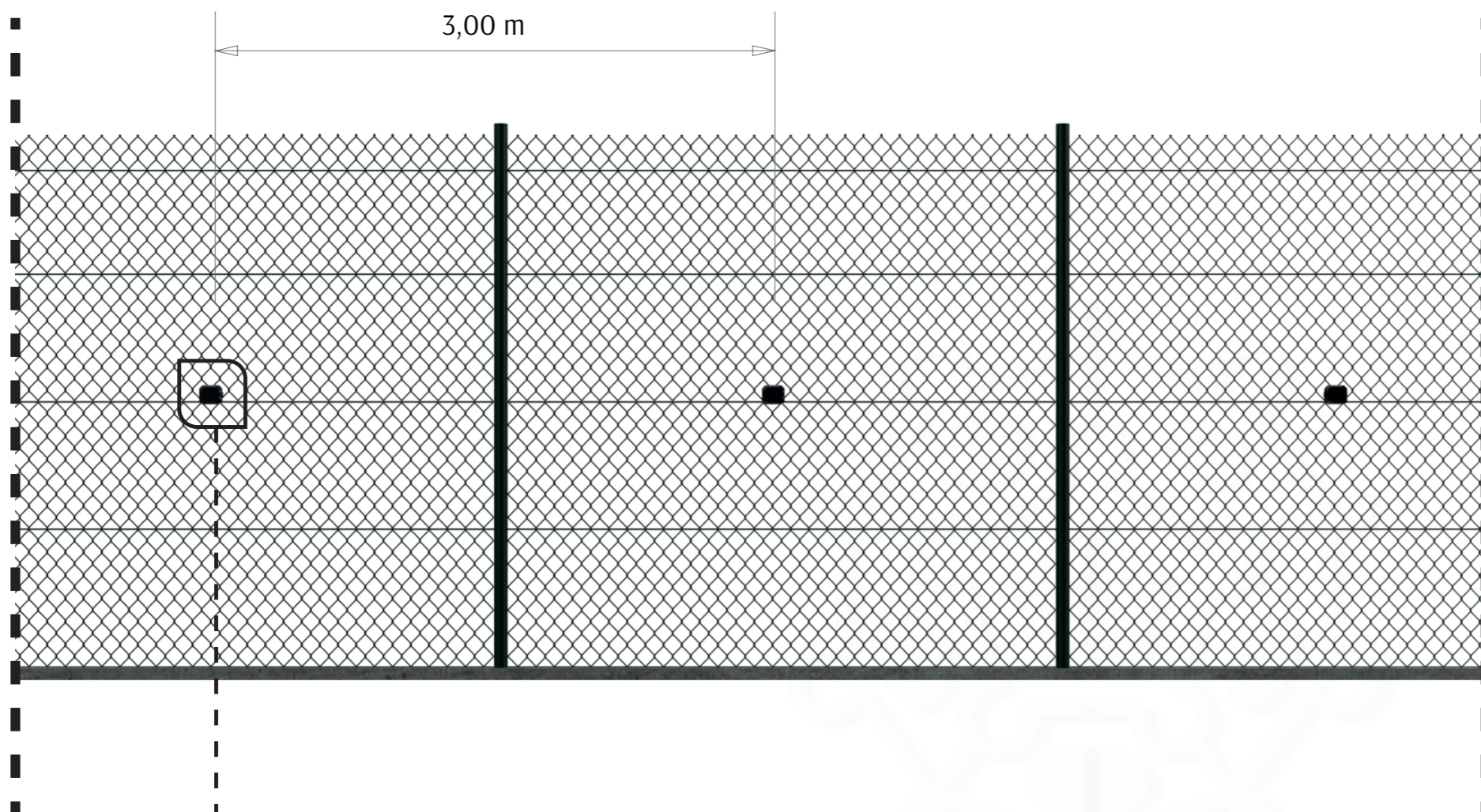
To power an IR barrier, you need a dedicated power supply unit.

**FUSIONP2P**  
Sliding gate  
Application



© 2021 DEA Security S.r.l. v. 1.0.0  
DEA Security srl reserve the right to change at any time and without notice the features of its products.

# Application EXAMPLE - Mesh net protection



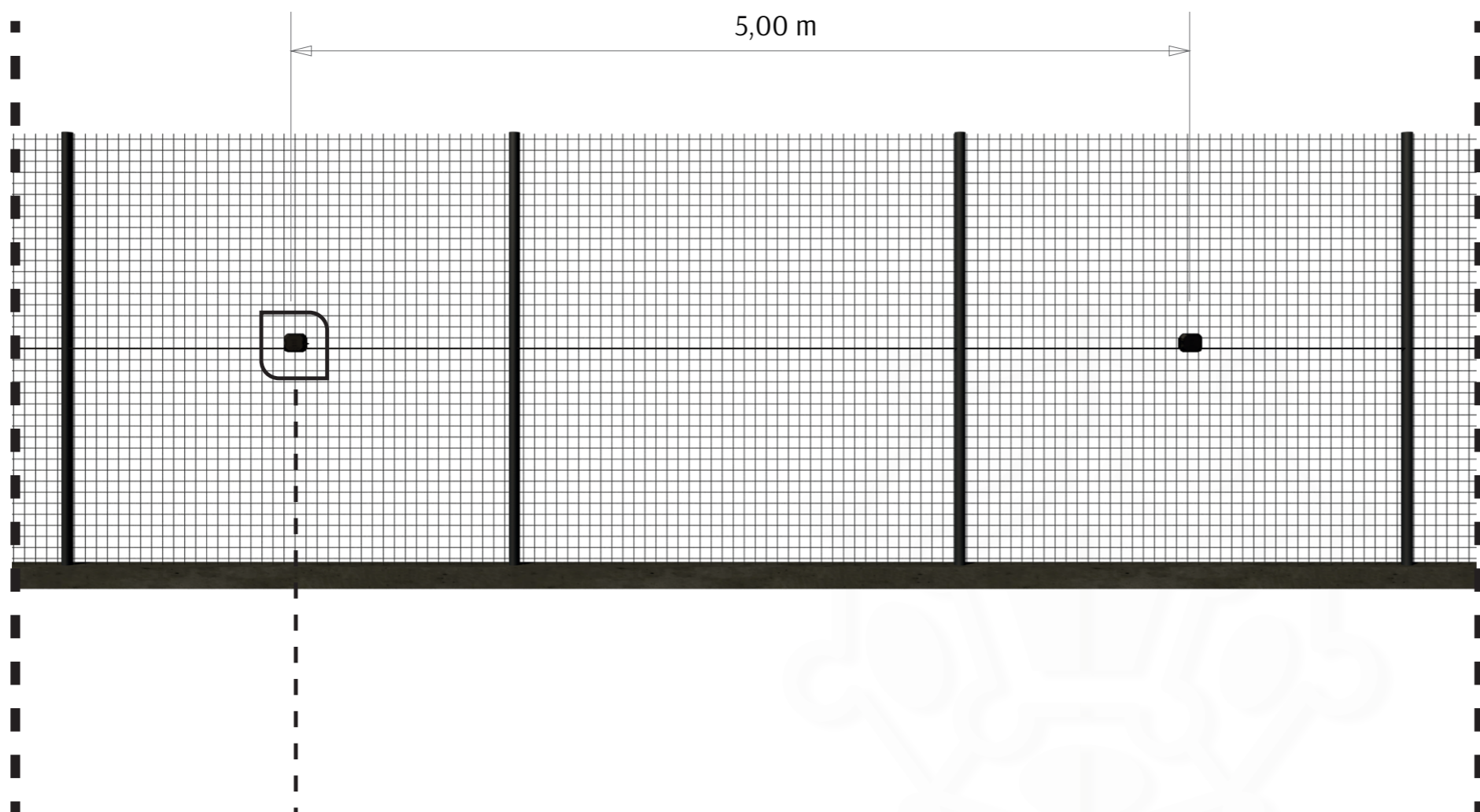
SN-FSP2P SENSOR on chain-link fence

**FUSIONP2P**  
Mesh net protection  
Application

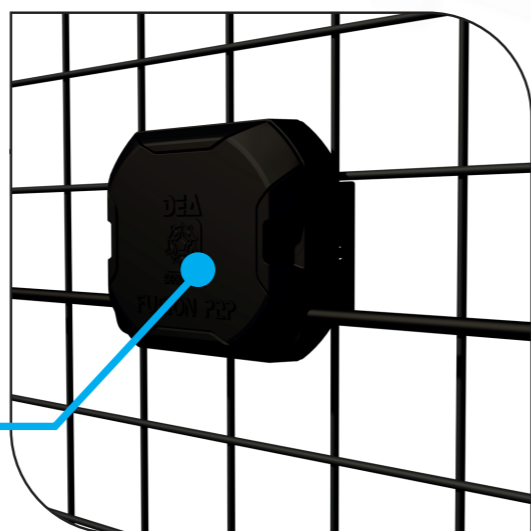


© 2021 DEA Security S.r.l. v. 1.0.0  
DEA Security srl reserve the right to change at any time and without notice the features of its products.

# Application EXAMPLE - Electrowelded mesh protection



SN-FSP2P SENSOR  
on welded fence

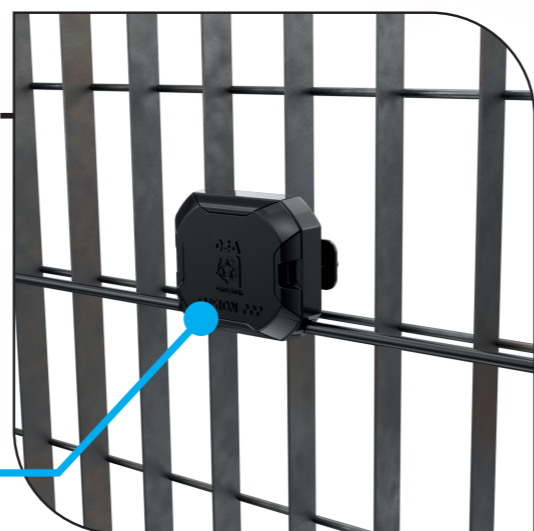
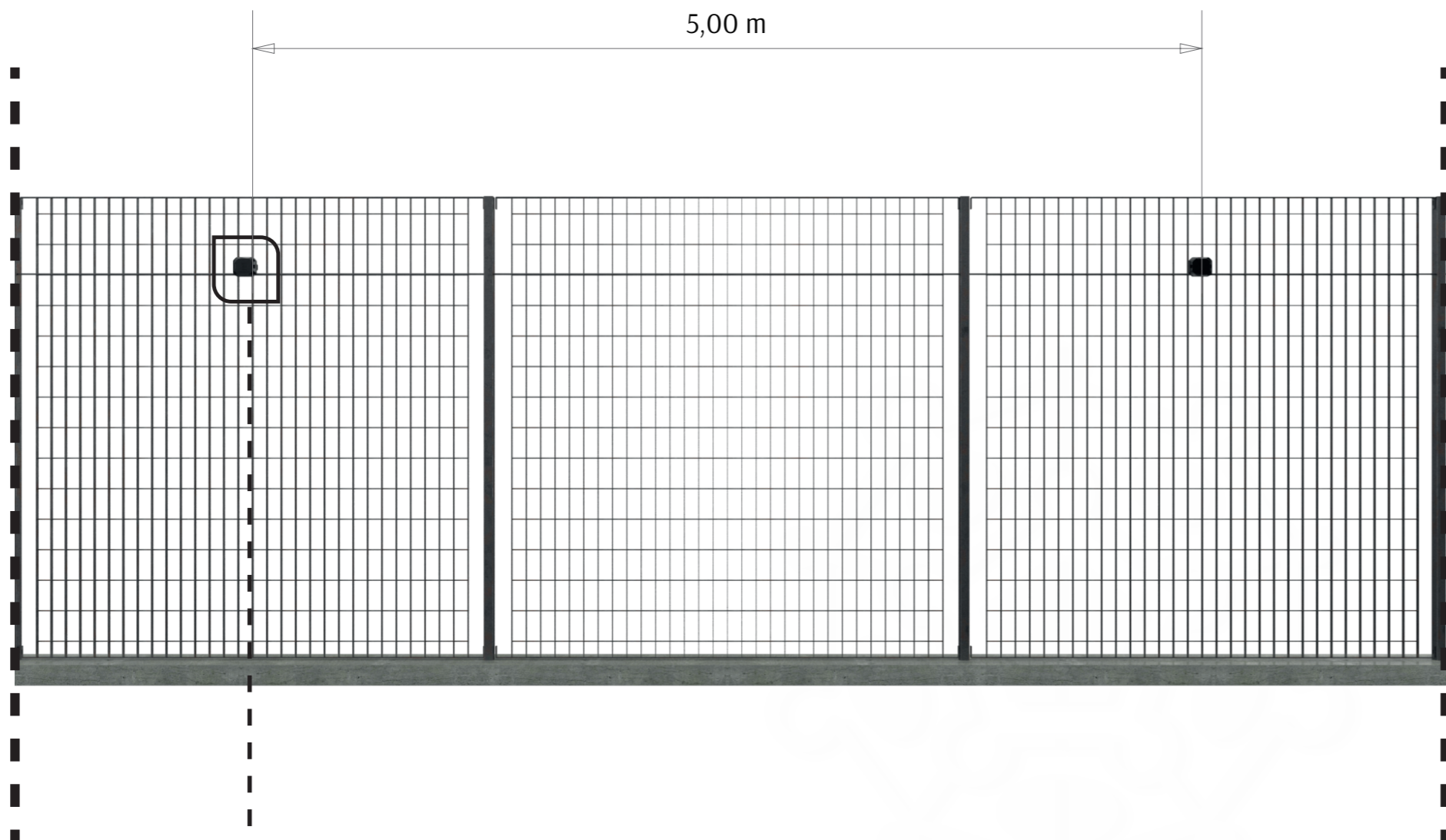


**FUSIONP2P**  
Electrowelded mesh  
Application



© 2021 DEA Security S.r.l. v. 1.0.0  
DEA Security srl reserve the right to change at any time and without notice the features of its products.

# Application EXAMPLE - Grating protection



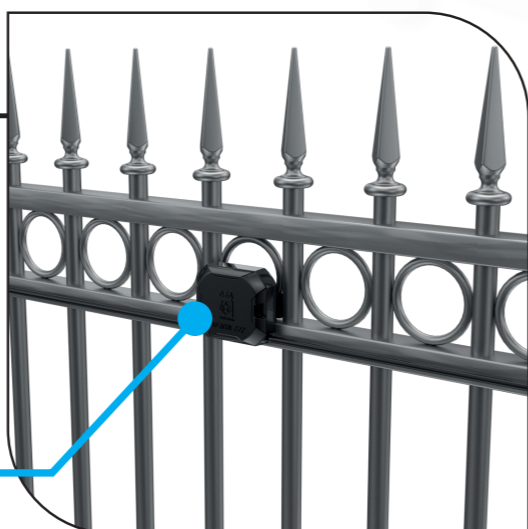
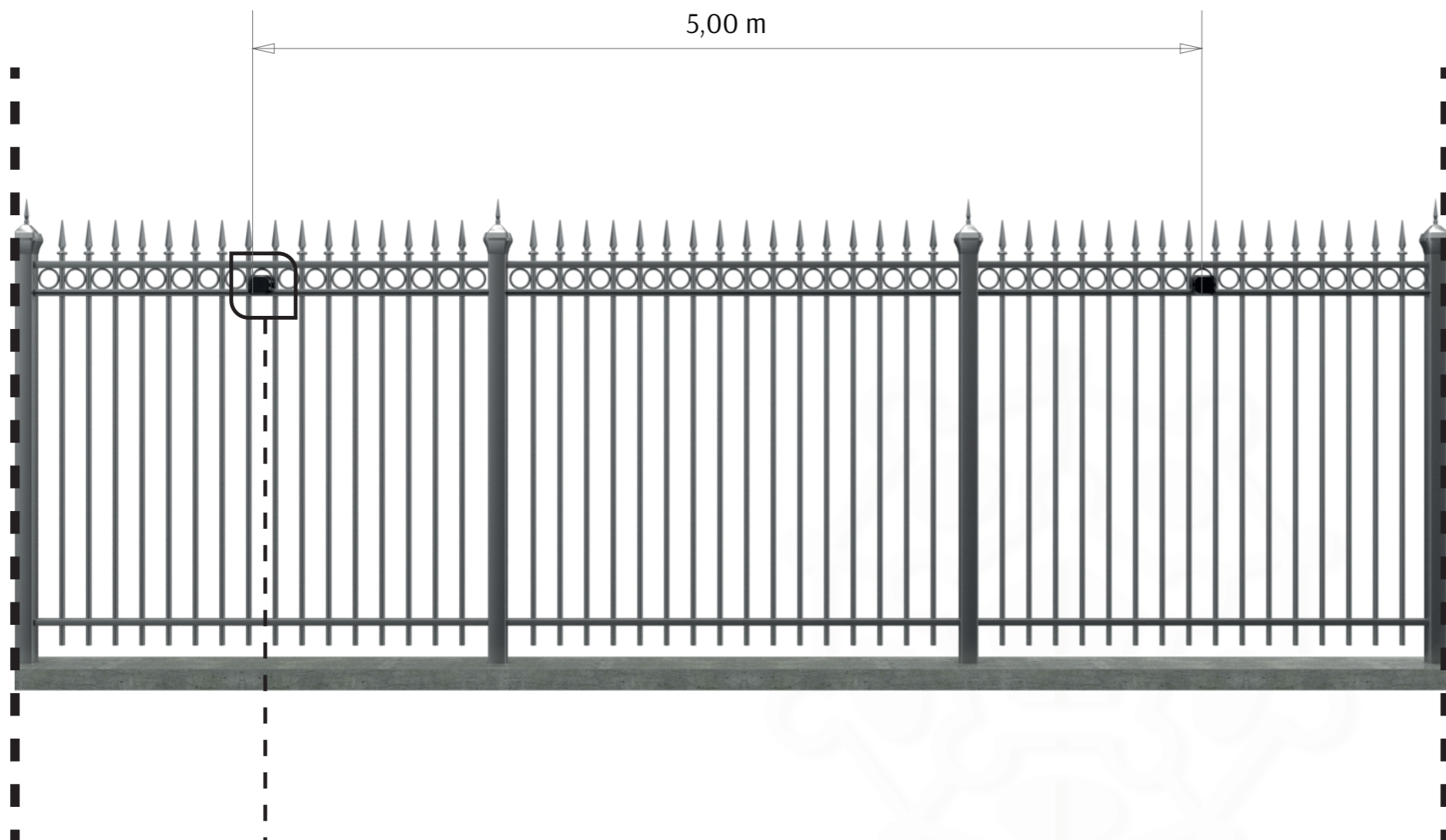
SN-FSP2P SENSOR  
on grating

**FUSIONP2P**  
Grating  
Application



© 2021 DEA Security S.r.l. v. 1.0.0  
DEA Security srl reserve the right to change at any time and without notice the features of its products.

# Application EXAMPLE - Rigid fence protection



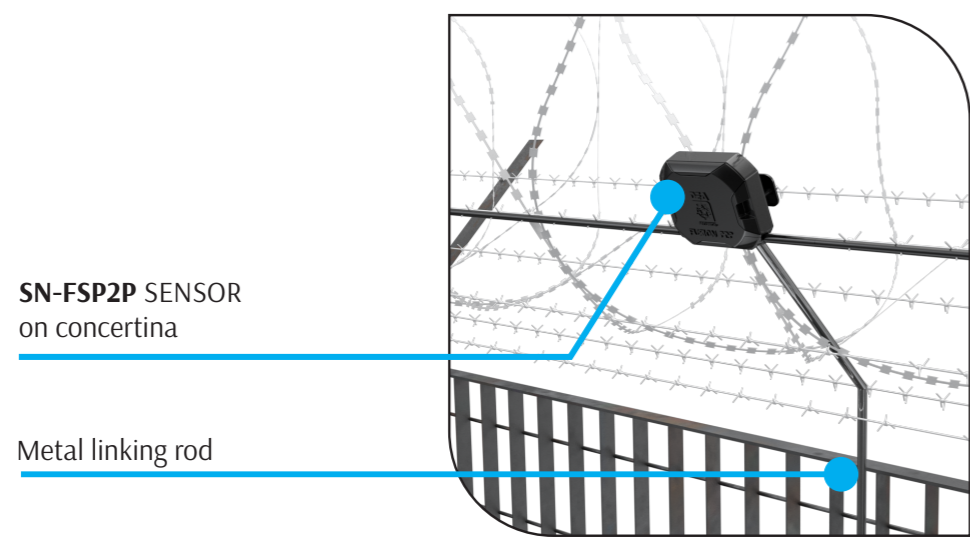
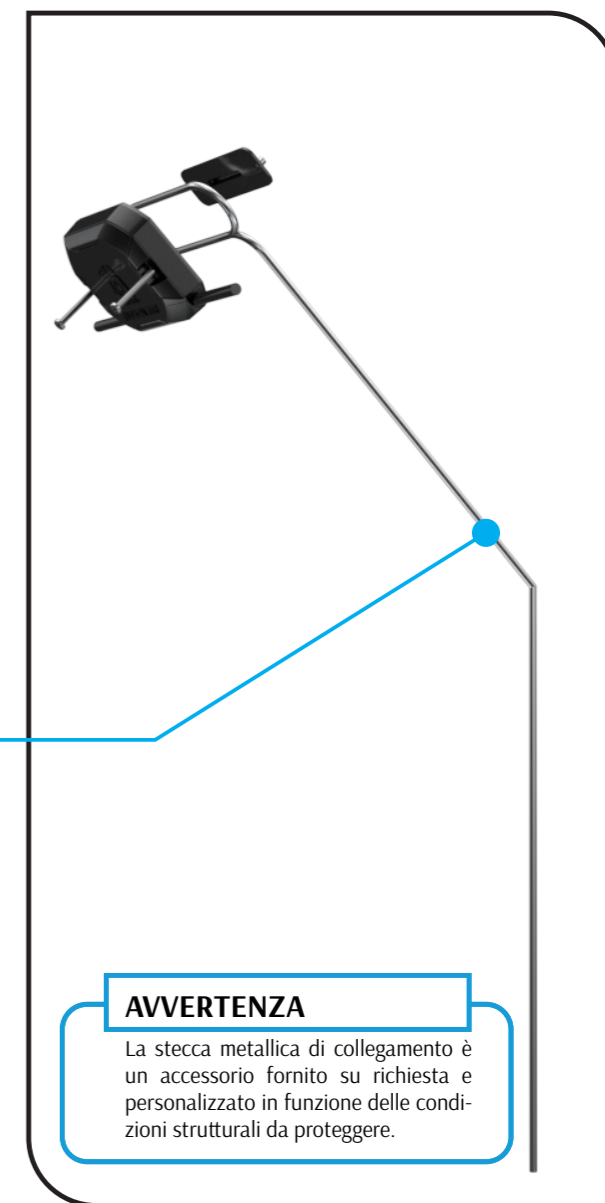
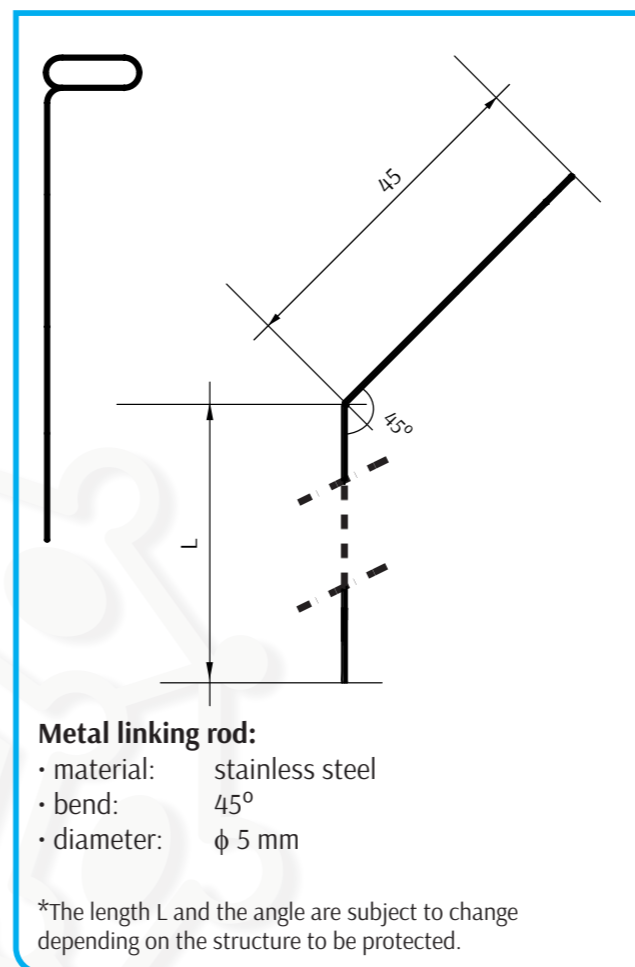
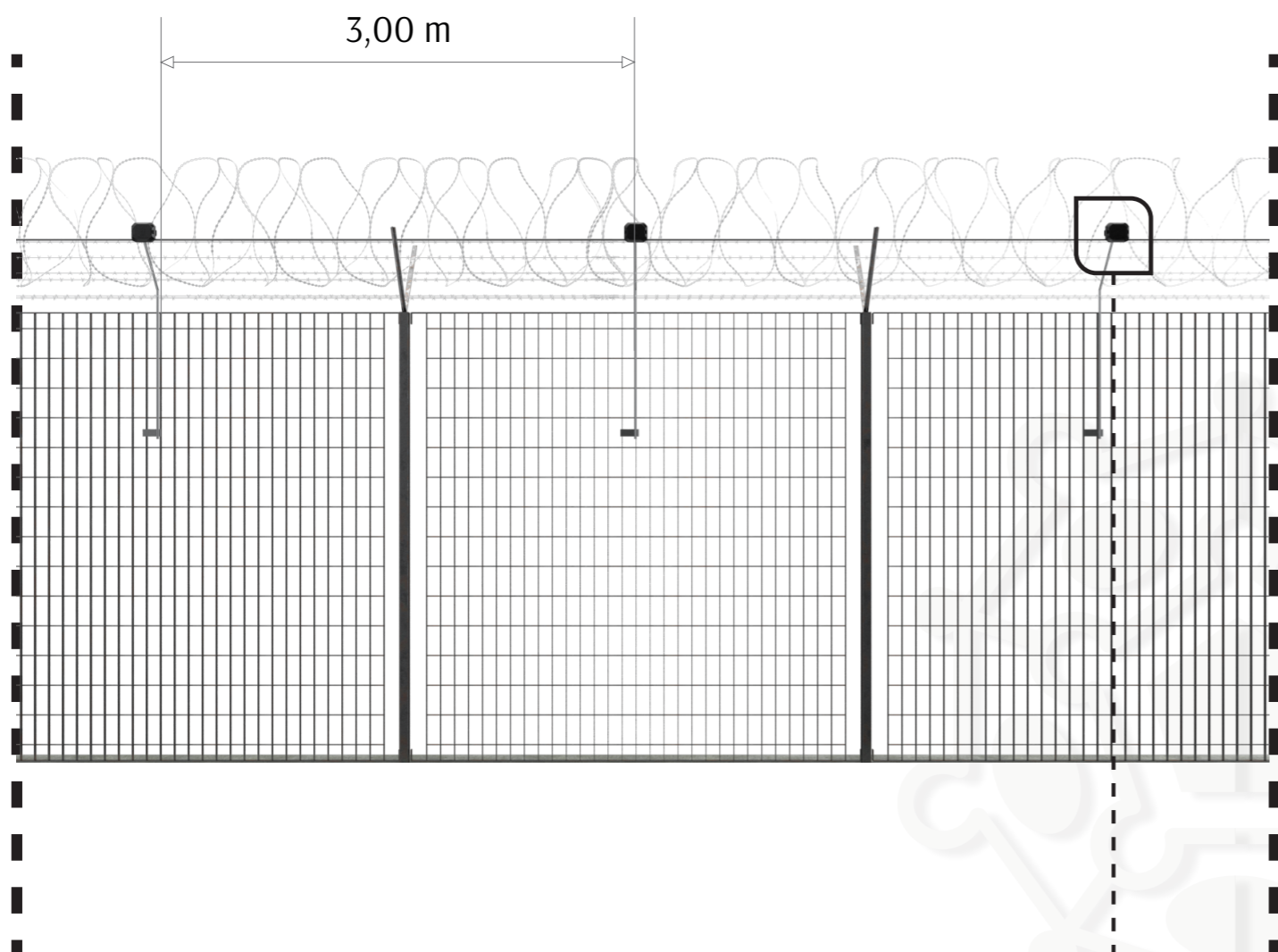
SN-FSP2P SENSOR  
on Rigid fence

**FUSIONP2P**  
Rigid fence  
Application



© 2021 DEA Security S.r.l. v. 1.0.0  
DEA Security srl reserve the right to change at any time and without notice the features of its products.

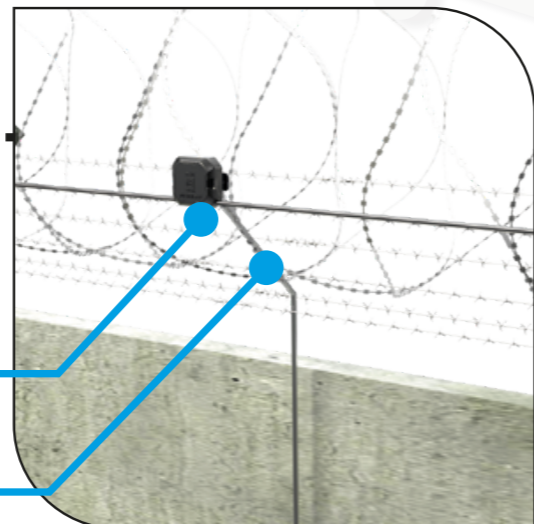
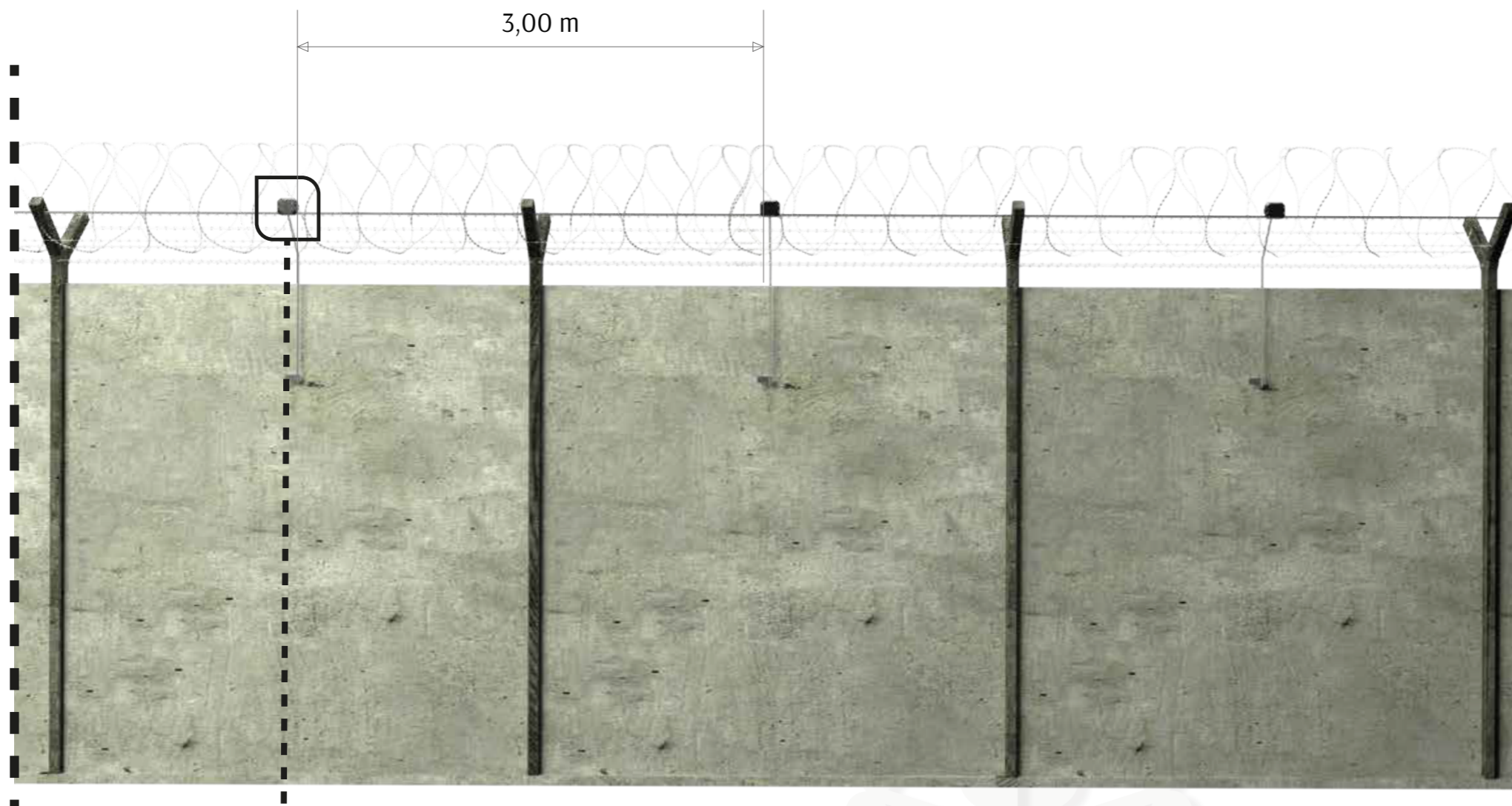
# Application EXAMPLE - Keller panel protection surmounted by concertina



**FUSION P2P**  
 Concertina connections  
 Application

© 2024 DEA Security S.r.l. v. 1.0.2  
 DEA Security srl reserve the right to change at any time and without notice the features of its products.

# Application EXAMPLE - Wall protection surmounted by concertina



SN-FSP2P SENSOR  
on concertina

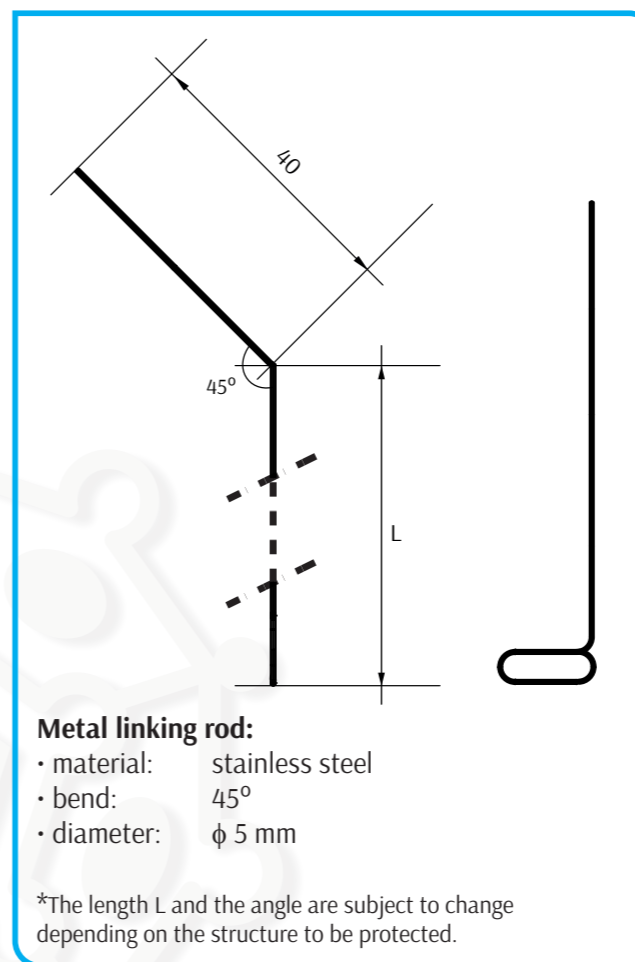
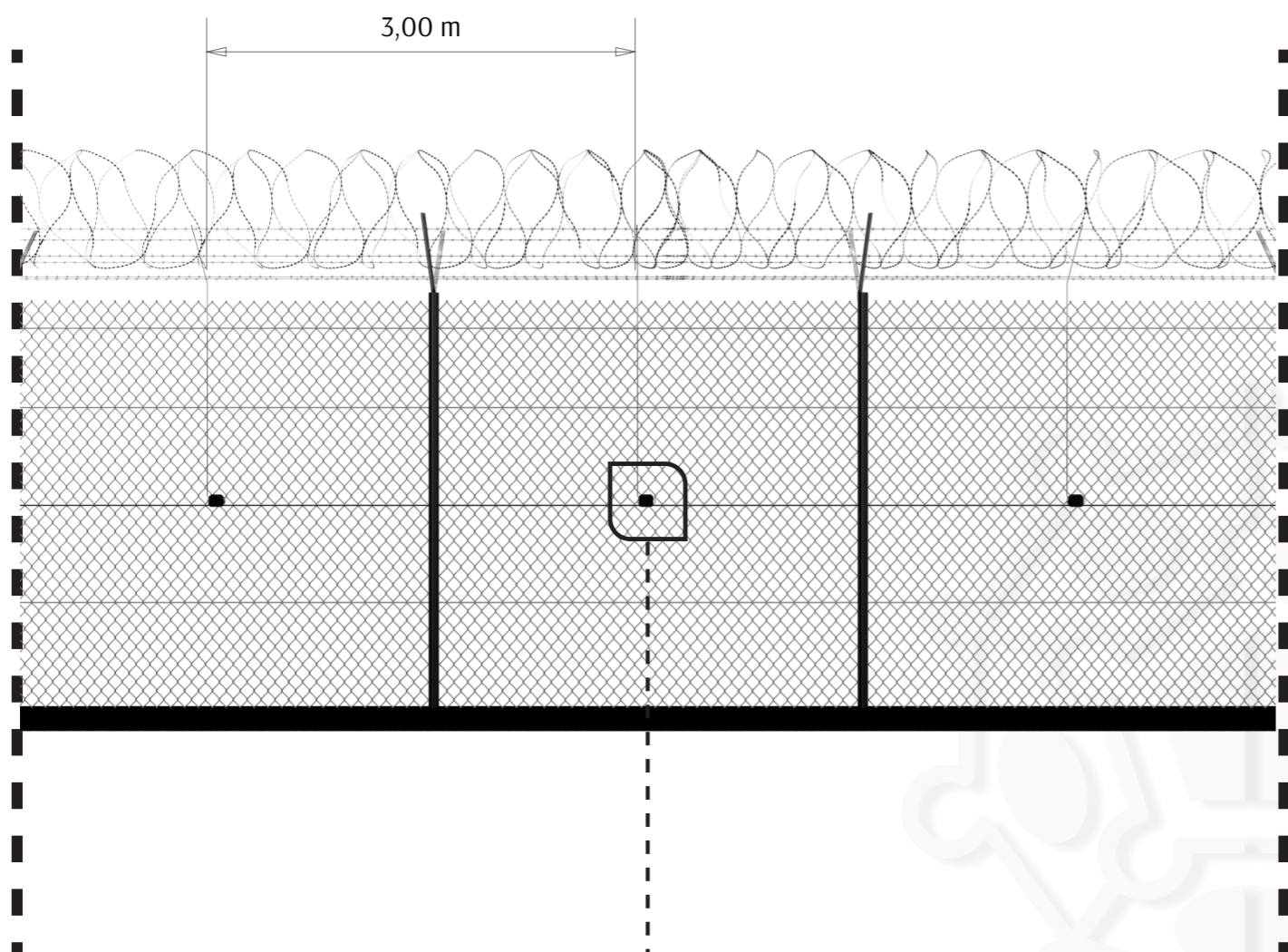
Metal linking rod

**FUSIONP2P**  
Concertina connections  
Application



© 2021 DEA Security S.r.l. v. 1.0.1  
DEA Security srl reserve the right to change at any time and without notice the features of its products.

# Application EXAMPLE - Mesh net protection surmounted by concertina



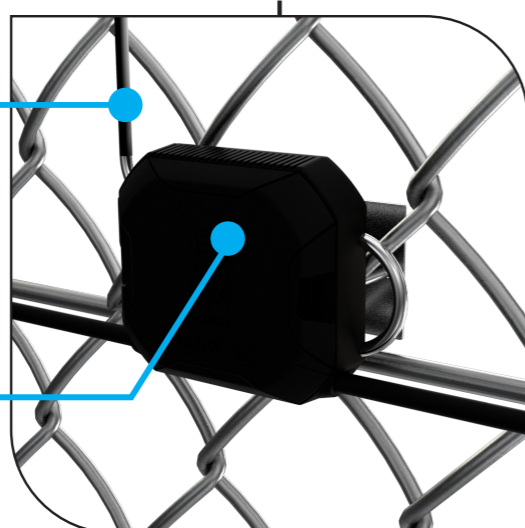
**WARNING**

The metal connection slat is an accessory supplied on request and customized according to the structural conditions to be protected.



Metal linking rod

SN-FSP2P SENSOR on concertina



**FUSIONP2P**  
 Concertina connections  
 Application



© 2024 DEA Security S.r.l. v. 1.0.0  
 DEA Security srl reserve the right to change at any time and without notice the features of its products.

**DEA**



**SECURITY®**



**DEA Security S.r.l.**

Via Bolano, snc - 19037 Santo Stefano di Magra (SP)

tel. +39 0187 699233 - fax +39 0187 697615

Registro Imprese, Codice Fiscale, Partita IVA: 00291080455

REA n. SP - 117344 - Capitale Sociale: € 106.000,00 I.V.

[www.deasecurity.com](http://www.deasecurity.com) - [dea@deasecurity.com](mailto:dea@deasecurity.com)



 SCAN ME